

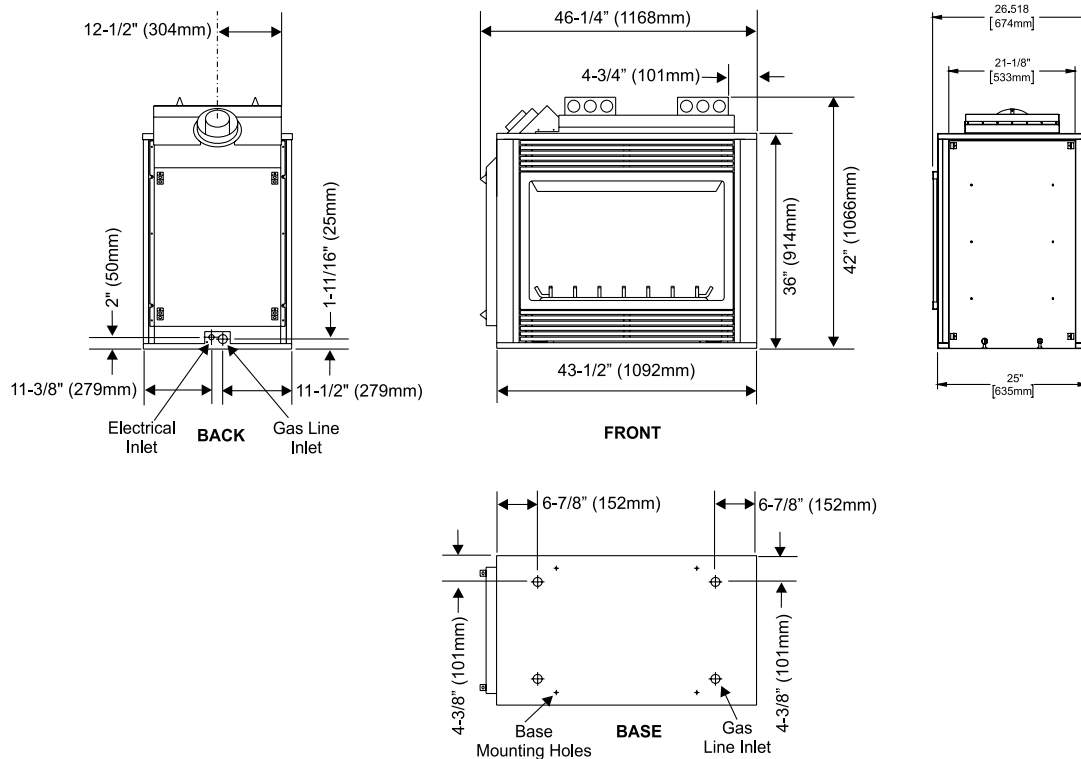
## P121-10 - P131-10 Gas Fireplace

Model	P121/P131-NG10	P121/P131-LP10
Fuel Type	Natural Gas	Propane
Minimum Supply Pressure	5" W.C. (1.25 kPa)	12" W.C. (3.00 kPa)
Manifold Pressure - High	3.8" W.C. (0.95 kPa)	11" W.C. (2.74 kPa)
Manifold Pressure - Low	1.1" W.C. (0.27 kPa)	2.9" W.C. (0.72 kPa)
Orifice Size	#31 DMS	#50 DMS
Minimum Input	20,500 BTU/h (6.01 kW)	20,600 BTU/h (6.04 kW)
Maximum Input	40,000 BTU/h (11.72 kW)	39,000 BTU/h (11.43 kW)
Vent Sizing	4" Inner / 6-5/8" Outer	4" Inner / 6-5/8" Outer

Approved Venting Systems	
Flex Vent Systems:	FPI AstroCap™ Flex Vent
Rigid Pipe Vent Systems:	Simpson Direct Vent Pro® American Metal Products® Amerivent Direct Security Secure Vent® Selkirk Direct-Temp™ Metal-Fab® Sure Seal ICC Excel Direct

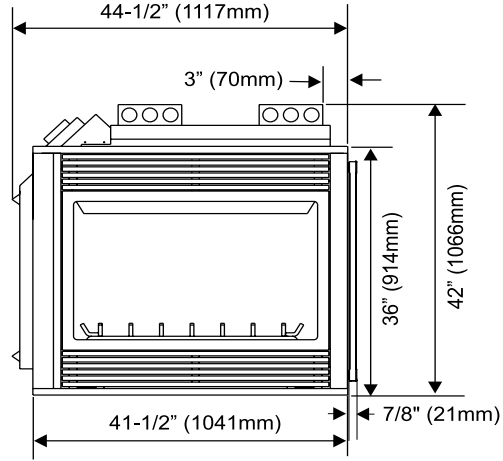
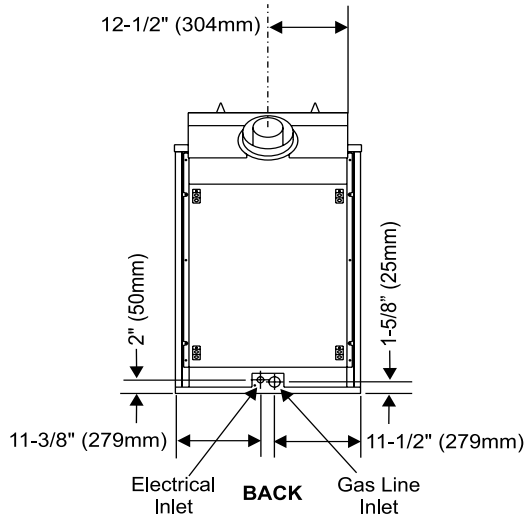


### P121-10 See Thru

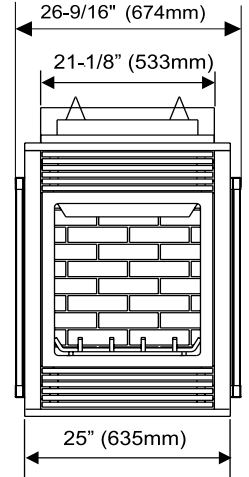


Please refer Exterior Vent Terminations for additional guidelines on vent locations.

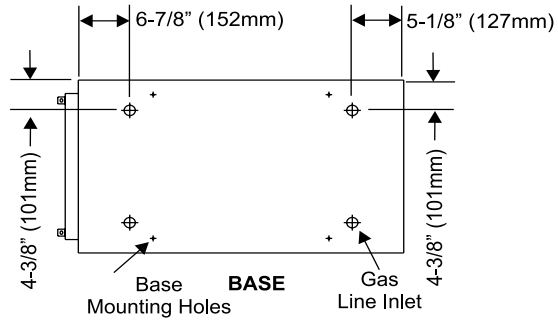
**P131-10 Pier**



**FRONT**



**SIDE**



**Please refer Exterior Vent Terminations for additional guidelines on vent locations.**

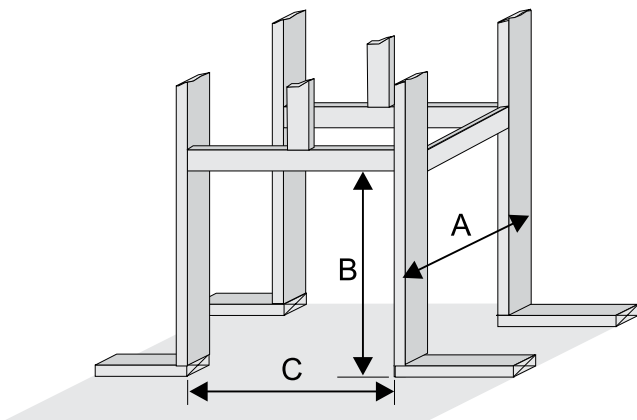
- 1) For ease of installation, frame your fireplace after it is positioned and the vent system is installed. Remember to install the top standoffs. See the "Unit Assembly Prior to Installation" section. Use 2x4's and frame to local building codes.

**CAUTION: Verify your fireplace dimensions, framing methods and finished wall facing details before framing. Determine the total thickness of facing material - drywall plus ceramic tiles, slate, etc. Allow the finish surface to be flush with the front or side of the unit. Total facing thickness can vary from 1/2" (13mm) to 1-1/4" (32mm) thick.**

- 2) When locating your appliance on an exterior wall or in a chase, apply a vapour barrier and drywall, as per local building codes. **DO NOT INSULATE THE FIREPLACE ITSELF.**

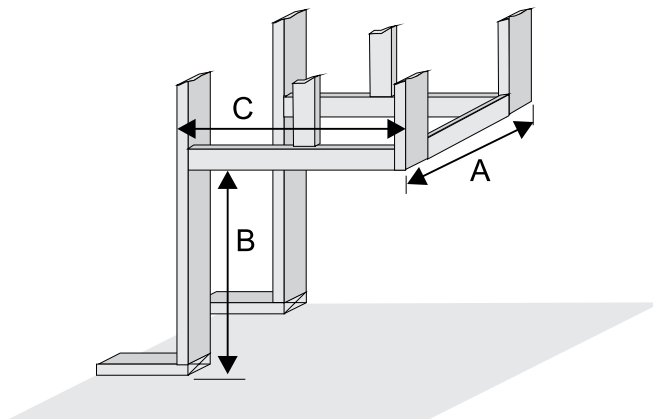
**CAUTION: The unit does not have to be completely enclosed in a chase. The clearance on top of the unit is 0" to the standoffs so combustible building materials can be laid directly on top of the standoffs. You must maintain clearance from the vent to combustible materials for both rigid and flex, see Vent Clearances in the "Clearances" section.**

P121-10 - See Thru



Framing Dimensions	
P121-10 (See Thru)	P131-10 (Pier)
<b>A</b> 25"(635mm) minus 2X the finishing material thickness*	<b>A</b> 25"(635mm) minus 1X the finishing material thickness*
<b>B</b> 42-1/2"(1080mm)	<b>B</b> 42-1/2"(1080mm)
<b>C</b> 46-3/4"(1187mm)	<b>C</b> 45" (1143mm) minus 1X the finishing material thickness*
* Finish material thickness includes: drywall, ceramic tile, slate, etc.	

P131-10 - Pier



**Note: These units are non-load bearing.**

P121-P131 Gas Fireplace

## CLEARANCES

The clearances listed below are Minimum distances unless otherwise stated (refer to diagrams in the "Locating Your Fireplace" section):

### Clearance to Combustibles from:

<b>Back</b>	0"	(0mm)
<b>Side</b>	0"	(0mm)
<b>Floor</b>	0"	(0mm)

**CAUTION REQUIREMENTS:** The top, back and sides of the fireplace are defined by standoffs. The metal ends of the standoffs may **NOT** be recessed into combustible construction.

Determine the total thickness of the finished floor (eg. tile, carpet, slate) to allow the finished surface to be flush with the base of the unit.

Ceiling Height from Floor 72" (1828mm)

Mantel Height from Base of Unit:  
39" min. (991mm)

### Horizontal Vent Clearances:

<b>Top</b>	2-1/2"	(64mm)
<b>Side</b>	1-1/2"	(38mm)
<b>Bottom</b>	1-1/2"	(38mm)

Vertical Vent Clearances 1-1/4" (32mm)

**WARNING:**  
Fire hazard is an extreme risk if these clearances (air space) to combustible materials are not adhered to. It is of greatest importance that this fireplace and vent system be installed only in accordance with these instructions.

## COMBUSTIBLE MANTELS

Because of the extreme heat this fireplace emits, the mantel clearances are critical. Combustible mantel clearances from top of unit are shown

### Mantel Clearances

in Diagram to the right.

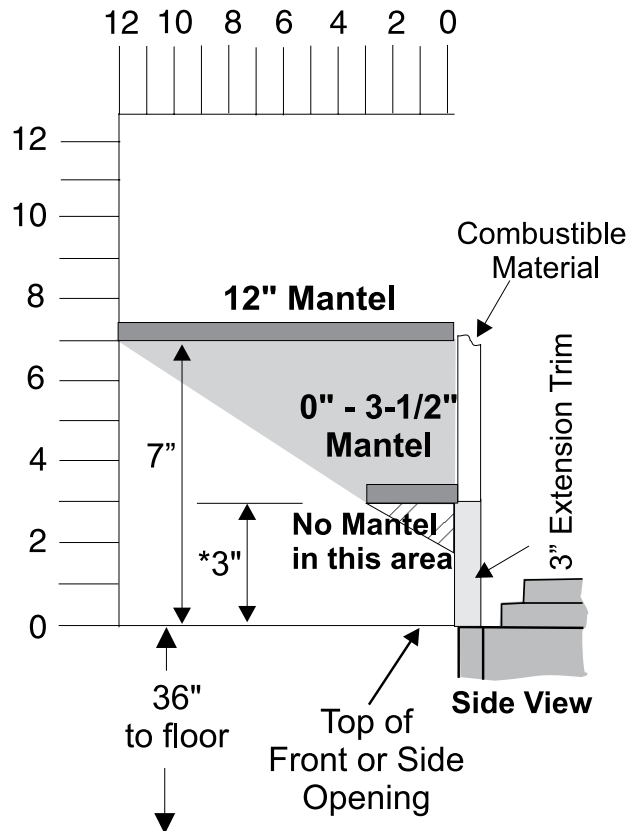
**Note:** A non-combustible mantel may be installed at a lower height if the framing is made of metal studs covered with a non-combustible board.

This drawing is to scale at 1:6 (one inch = 6 inches)

Mantel can be installed anywhere in shaded area or higher using this scale.

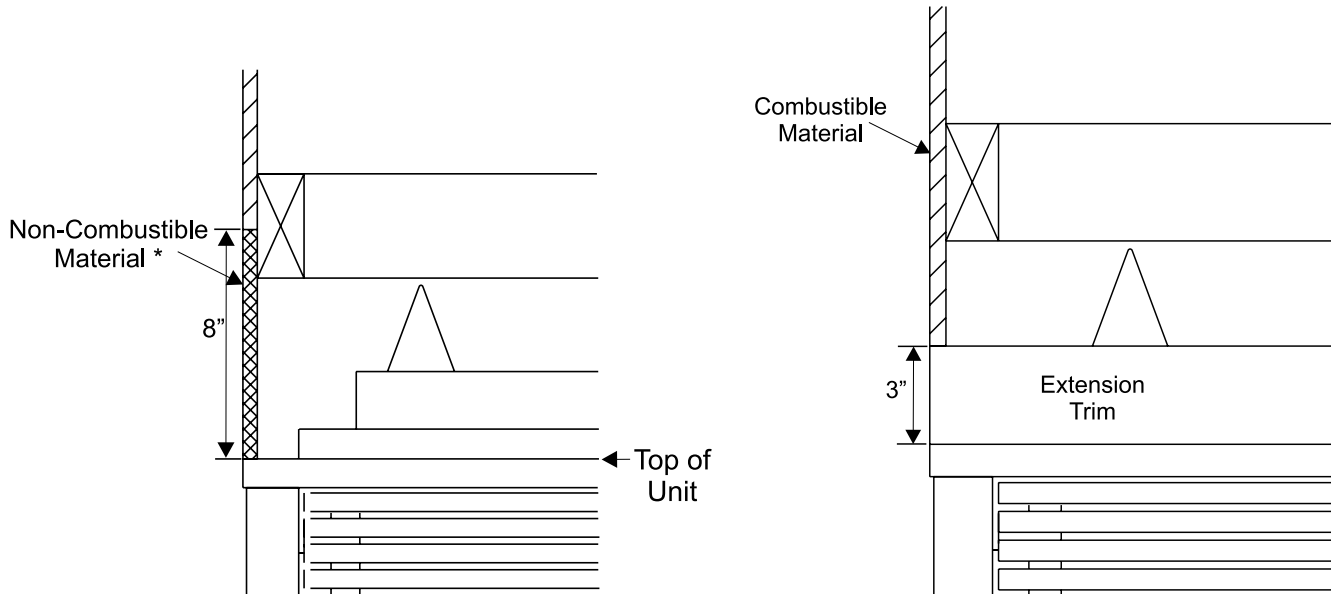
**Caution:** Ensure the paint that is used on the mantel and the facing is "heat resistant" or the paint may discolour.

\* If the 3" (76mm) metal extension trim is removed it must be replaced with a 8" (203mm) non-combustible material.



## Facing & Finishing Requirements

This fireplace is supplied with a 3" metal extension trim above the fireplace. The extension trim may be replaced if the framing is faced with a non-combustible material placed flush with the front and side face of the unit and extending from the top of the unit. (ie. tile, slate, etc.)



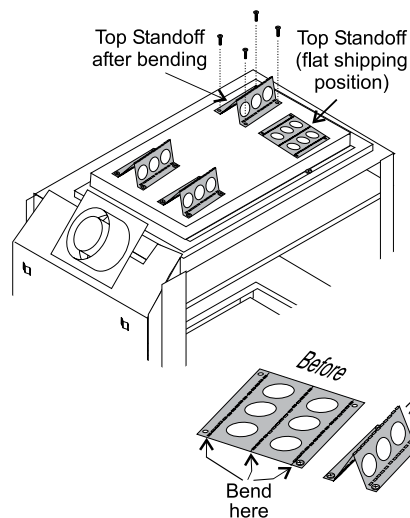
### UNIT ASSEMBLY PRIOR TO INSTALLATION

The 4 Top Standoffs must be correctly positioned and attached to the top before unit is slipped into position.

#### Top Standoff Assembly

The top standoffs are shipped in a flat position and must be folded into shape and attached.

- 1) Remove the standoffs from the fireplace top.
- 2) Take each standoff and bend into the correct shape. Bend up at the bend lines until the screw holes in the standoff and the pre-punched screw holes on the fireplace top line up.
- 3) Attach the standoff securely to the top with 4 screws per standoff (on opposite corners).



### VENTING INTRODUCTION

The P121-10/P131-10 uses the "balanced flue" technology Co-Axial system. The inner liner vents products of combustion to the outside while the outer liner draws outside combustion air into the combustion chamber thereby eliminating the need to use heated room air for combustion and losing warm room air up the chimney.

**Note: These flue pipes must not be connected to any other appliance.**

The gas appliance and vent system must be vented directly to the outside of the building, and never be attached to a chimney serving a separate solid fuel or gas burning appliance. Each direct vent gas appliance must use its own separate vent system. Common vent systems are prohibited. (See "Rigid Pipe Venting Systems" for more details and exceptions).

P121-P131 Gas Fireplace

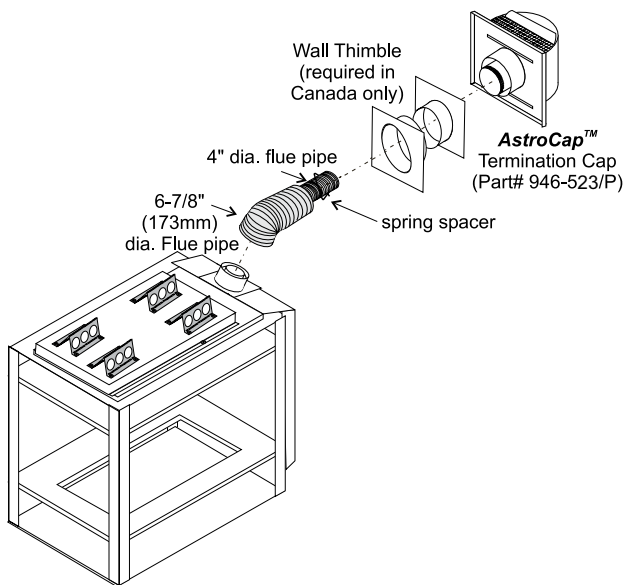
## VENTING ARRANGEMENT - HORIZONTAL TERMINATIONS

### Regency® Direct Vent System (Flex) Horizontal Terminations Only

These venting systems, in combination with the P121-10/P131-10 Direct Vent Gas Fireplace, have been tested and listed as a direct vent heater system by Intertek. The location of the termination cap must conform to the requirements in the Vent Terminal Locations diagram in the "Exterior Vent Termination Locations" section.

**Regency® Direct Vent (Flex) System Termination Kit (Part# 946-513) includes all the parts needed to install the P121-10/P131-10 with a maximum run of 2 feet.** If installing the P121-10/P131-10 with a **continuous** vent length of more than 2 ft. (.6m) to a maximum of 10 ft. (3.0m) use Kit # 946-515 (4 ft.) or 946-516 (10 ft.)

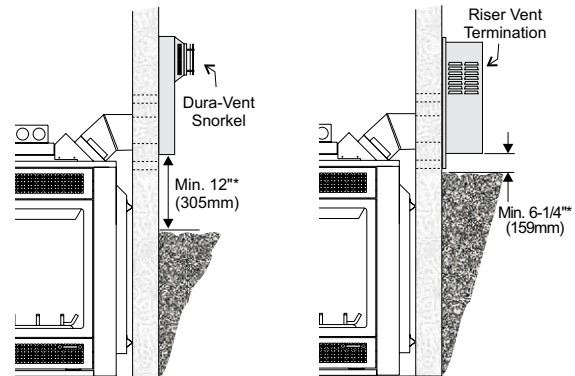
- 1) 6-7/8" dia. flexible liner (2 ft. length)
- 2) 4" dia. flexible liner (2 ft. length)
- 3) spring spacers (3)
- 4) thimble (2)
- 5) **AstroCap** termination cap (1)
- 6) screws (12)
- 7) tube of Mill Pac (1)
- 8) plated screws (8)
- 9) screws #8 x 1-1/2" drill point, stainless steel (4)



## Snorkel Terminations

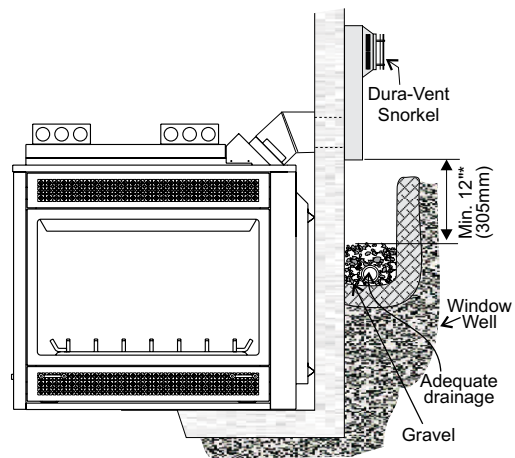
### Snorkel Terminations:

For installations requiring a vertical rise on the exterior of the building, 14-inch and 36-inch tall Snorkel Terminations and the Riser Vent are available. Follow the same installation procedures as used for standard Horizontal Termination. **NEVER** install the snorkel upside down.



### Below Grade Snorkel Installation (Dura-Vent Only)

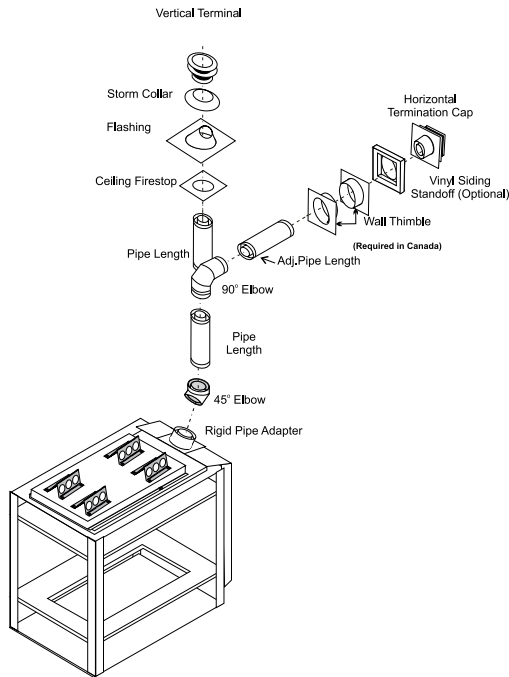
If the Snorkel Termination must be installed below grade, i.e. basement application, proper drainage must be provided to prevent water from entering the Snorkel Termination. Refer to Rigid Pipe Installation instructions for details. Do not attempt to enclose the Snorkel within the wall, or any other type of enclosure.



### Notes:

- 1) Liner sections should be continuous without any joints or seams.
- 2) Only Flex pipe purchased from Regency® may be used for Flex installations.
- 3) Regency® Direct Vent System (Flex) is only approved for horizontal terminations.

## Rigid Pipe Venting Horizontal or Vertical Terminations

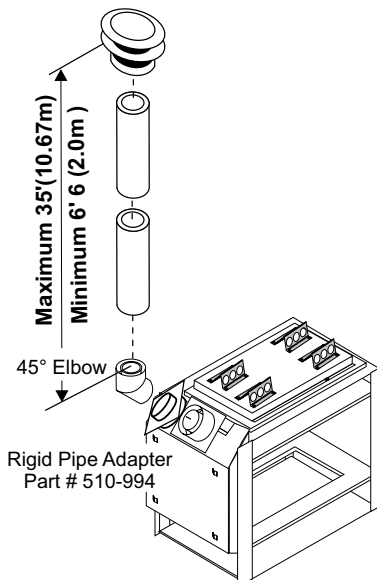


## Venting Arrangements - Vertical Terminations Rigid Pipe System (Propane & Natural Gas)

The P121 /131 is approved for a maximum 35 ft. straight vertical, with Rigid Pipe vent systems for Propane and Natural Gas.

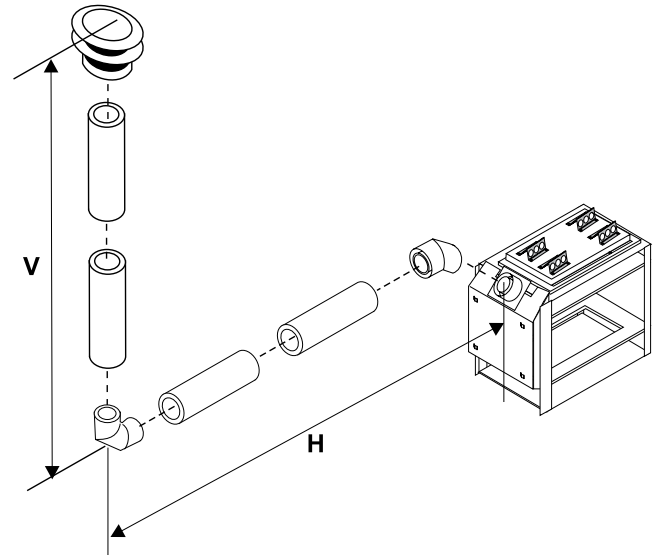
- Vent must be supported at offsets.
- Horizontal sections must be supported every 3 feet.
- Firestops are required at each floor level and whenever passing through a wall.
- Maintain clearances to combustible materials.
- Minimum of 1' pipe section between elbows.

**Note:** Must use optional flue adapter when using Rigid Pipe (Part # 510-994).



## Vertical Venting with One (1. 90° Elbow Two 45° elbows = One 90° elbow

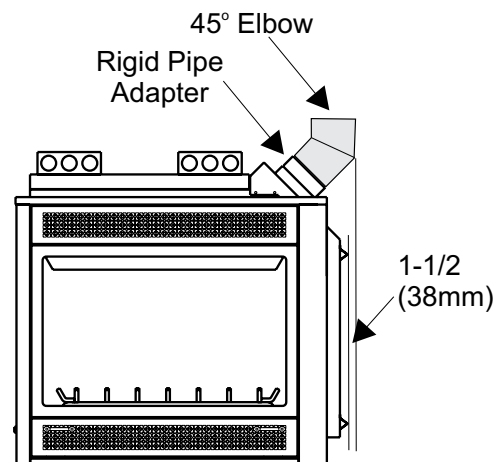
Option	V	H	Maximum total pipe: length, of all sections, must not exceed 37 feet. Total horizontal sections must not exceed 8 feet. <b>Minimum of 1 foot between 90° elbows is required.</b>
A)	1' Min.	2' Max.	
B)	2' Min.	4' Max.	
C)	3' Min.	6' Max.	
D)	4' Min.	8' Max.	



### IMPORTANT

When installing this unit vertically, the 45° elbow when installed in conjunction with the Rigid Pipe Adapter will protrude past the unit 1-1/2" (38mm) when measured from the rear standoffs.

**Note:** A 1-1/4" (32mm) clearance from the elbow must also be maintained.

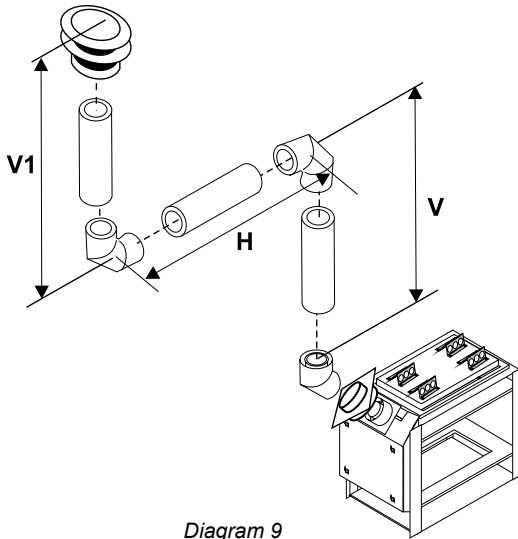


## P121-P131 Gas Fireplace

### Vertical Venting with Two (2) 90° Elbows

Option	V + V1	H
A)	1' (305mm) Minimum	4' (1.22m) Maximum
B)	2' (610mm) Minimum	6' (1.86m) Maximum
C)	3' (914mm) Minimum	9' (2.7m) Maximum
D)	4' (1.22m) Minimum	12' (3.6m) Maximum
E)	5' (1.5m) Minimum	15' (4.5m) Maximum
F)	6' (1.86m) Minimum	17' (5.1m) Maximum

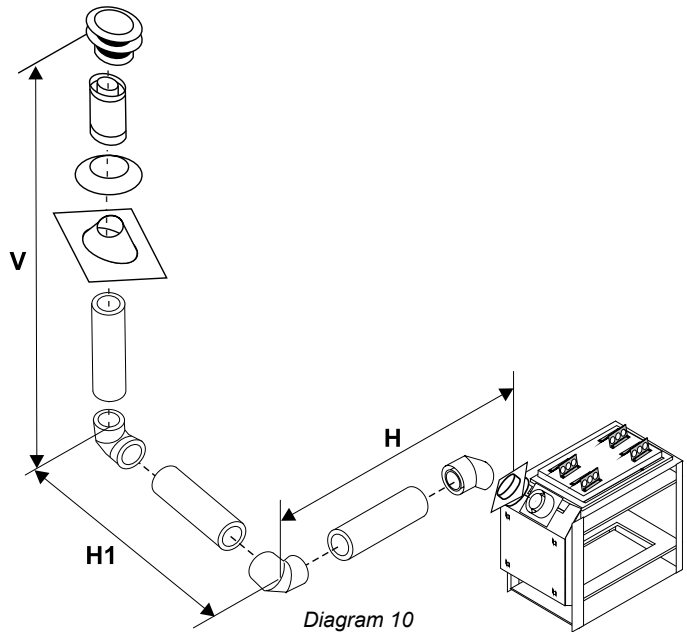
With the above options, maximum total pipe length is 37 feet with minimum of 6 feet total vertical and maximum 17 feet total horizontal.  
**Please note minimum 1 foot between 90° elbows is required.**



### Vertical Venting with Two (2) 90° Elbows

Option	V	H + H1
A)	1' (305mm) Minimum	2' (610mm) Maximum
B)	2' (610mm) Minimum	4' (1.22m) Maximum
C)	3' (914mm) Minimum	6' (1.86m) Maximum
D)	4' (1.22m) Minimum	8' (2.4m) Maximum

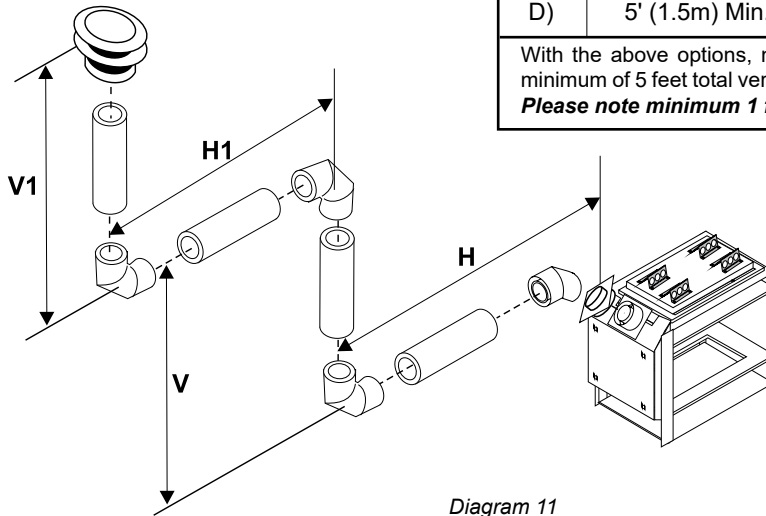
With the above options, maximum total pipe length is 37 feet with minimum of 4 feet total vertical and maximum 8 feet total horizontal.  
**Please note minimum 1 foot between 90° elbows is required.**



### Vertical Venting with Three (3) 90° Elbows

Option	V + V1	H	H + H1
A)	2' (610mm) Min.	1' (305mm) Max.	2' (610mm) Max.
B)	3' (914mm) Min.	4' (1.22m) Max.	5' (1.5m) Max.
C)	4' (1.22m) Min.	6' (1.86m) Max.	8' (2.4m) Max.
D)	5' (1.5m) Min.	8' (2.4m) Max.	12' (3.6m) Max.

With the above options, maximum total pipe length is 37 feet with minimum of 5 feet total vertical and maximum 12 feet total horizontal.  
**Please note minimum 1 foot between 90° elbows is required.**





## Venting Arrangements - Horizontal Terminations

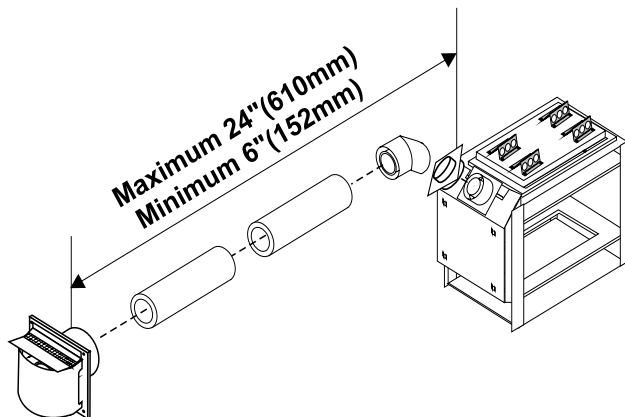
This diagram shows allowable venting configurations **using one 45°**.

**Note: Must use optional flue adapter (Part # 510-994. when using Rigid Pipe.**

- Maintain clearances to combustibles.
- Horizontal vent must be supported every 3 feet.
- Firestops are required at each floor level and whenever passing through a wall.

A vent guard should be used whenever the termination is lower than the specified minimum or as per local codes.

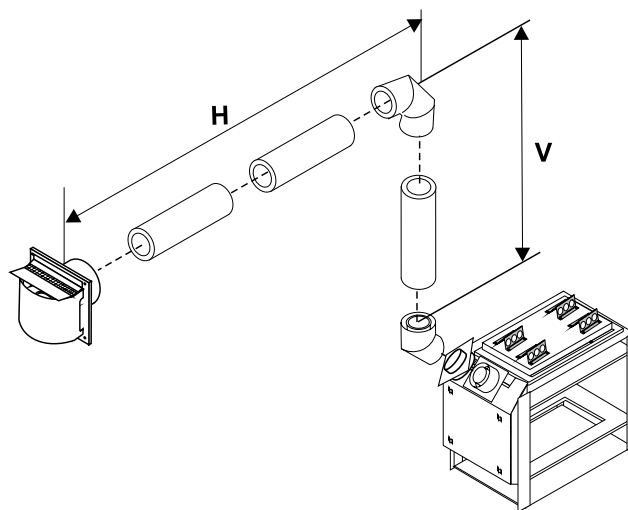
**Note: FPI Direct Vent System (Flex) is only approved for horizontal terminations.**



## Horizontal Venting with One (1. 90° Elbow

*Two 45° elbows = One 90° elbow*

Option	V	H	Maximum total pipe: length, of all sections, must not exceed 37 feet. Total horizontal sections must not exceed 17 feet. <b>Minimum of 1 foot between 90° elbows is required.</b>
A)	1' Min.	3' Max.	
B)	2' Min.	6' Max.	
C)	3' Min.	9' Max.	
D)	4' Min.	12' Max.	
E)	5' Min.	15' Max.	
F)	6' Min.	17' Max.	

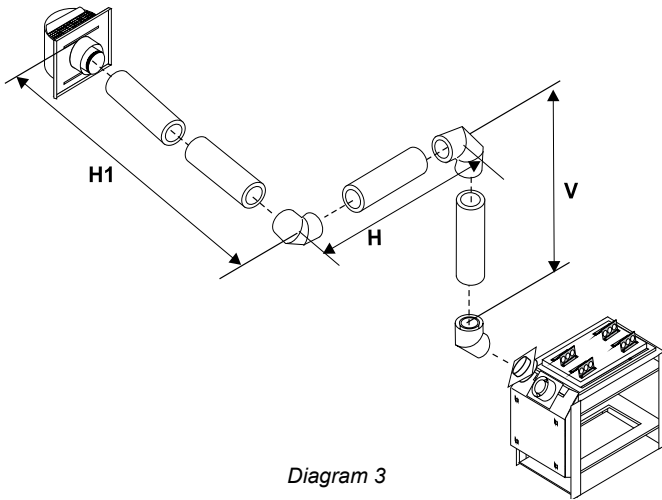


## P121-P131 Gas Fireplace

### Horizontal Venting with Two (2) 90° Elbows

Option	V	H + H1
A)	1' (305mm) Minimum	2' (610mm) Maximum
B)	2' (610mm) Minimum	5' (1.5m) Maximum
C)	3' (914mm) Minimum	8' (2.4m) Maximum
D)	4' (1.22m) Minimum	11' (3.35m) Maximum
E)	5' (1.5m) Minimum	14' (4.27m) Maximum
F)	6' (1.86m) Minimum	15' (4.5m) Maximum

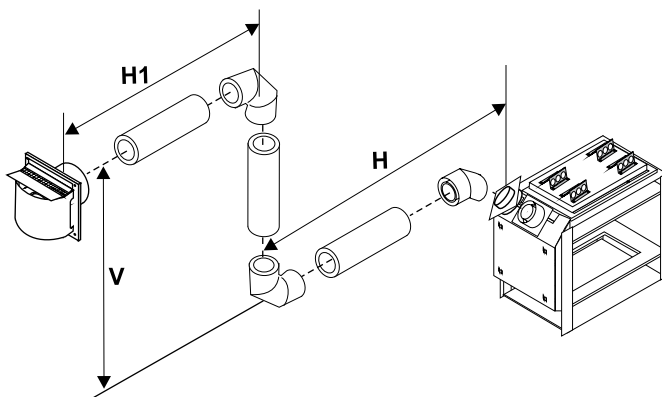
With the above options, maximum total pipe length is 37 feet with minimum of 6 feet total vertical and maximum 15 feet total horizontal.  
**Please note minimum 1 foot between 90° elbows is required.**



### Horizontal Venting with Two (2) 90° Elbows

Option	V	H	H + H1
A)	1' (305mm) Min.	1' (305mm) Max.	3' (914mm) Max.
B)	2' (610mm) Min.	3' (0.91m) Max.	6' (1.86m) Max.
C)	3' (914mm) Min.	5' (1.5m) Max.	9' (2.7m) Max.
D)	5' (1.5m) Min.	8' (2.4m) Max.	12' (3.6m) Max.

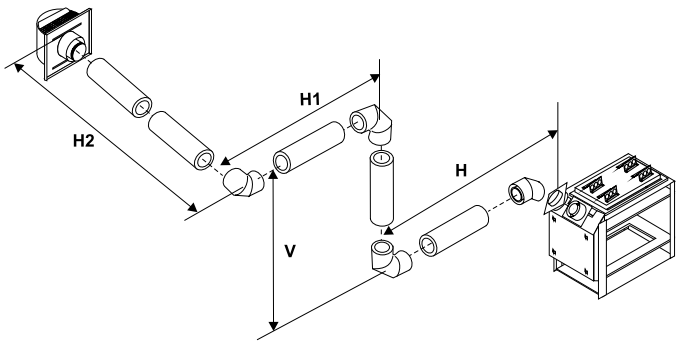
With the above options, maximum total pipe length is 37 feet with minimum of 5 feet total vertical and maximum 12 feet total horizontal.  
**Please note minimum 1 foot between 90° elbows is required.**



### Horizontal Venting with Three (3) 90° Elbows

Option	V	H	H + H1 + H2
A)	2' (610mm) Min.	1' (305mm) Max.	3' (914mm) Max.
B)	3' (914mm) Min.	3' (914mm) Max.	6' (1.86m) Max.
C)	4' (1.22m) Min.	5' (1.5m) Max.	9' (2.7m) Max.
D)	5' (1.5m) Min.	7' (2.13m) Max.	12' (3.6m) Max.

With the above options, maximum total pipe length is 37 feet with minimum of 5 feet total vertical and maximum 12 feet total horizontal.  
**Please note minimum 1 foot between 90° elbows is required.**



### Horizontal Venting with Three (3) 90° Elbows

Option	V + V1	H + H1
A)	2' (610mm) Minimum	3' (914mm) Maximum
B)	3' (914mm) Minimum	6' (1.86m) Maximum
C)	4' (1.22m) Minimum	9' (2.7m) Maximum
D)	5' (1.5m) Minimum	12' (3.6m) Maximum

With the above options, maximum total pipe length is 37 feet with minimum of 5 feet total vertical and maximum 12 feet total horizontal.  
**Please note minimum 1 foot between 90° elbows is required.**

