

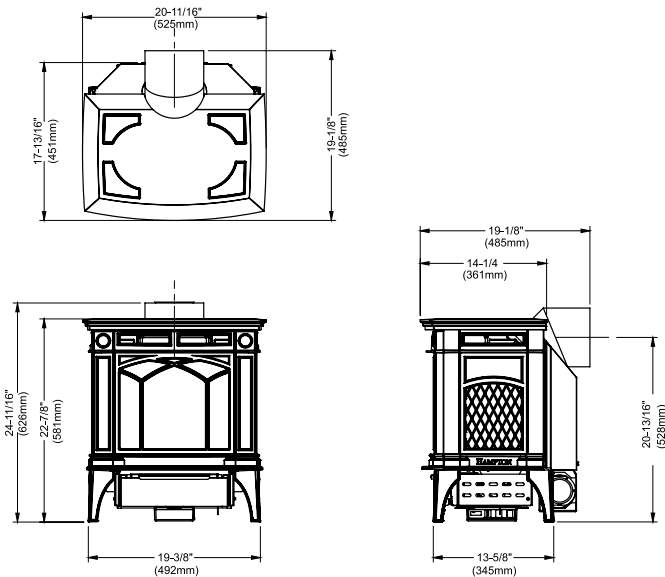
### H15-10 Direct Vent Gas Stove

Model	H15-NG10	H15-LP10
Fuel Type	Natural Gas	Propane
Minimum Supply Pressure	5.0" W.C. (1.25 kPa)	11" W.C. (2.74 kPa)
Manifold Pressure - High	3.5" W.C. (0.87 kPa)	10" W.C. (2.49 kPa)
Manifold Pressure - Low	1.6" W.C. (0.40 kPa)	6.4" W.C. (1.59 kPa)
Orifice Size -Altitude 0-2000 ft.	#47 DMS	#55 DMS
Maximum Input Altitude 0-4500 ft. (0-1372m)	18,000 BTU/h (5.28 kW)	18,000 BTU/h (5.28 kW)
Vent Sizing	4" Inner / 6-5/8" Outer	4" Inner / 6-5/8" Outer

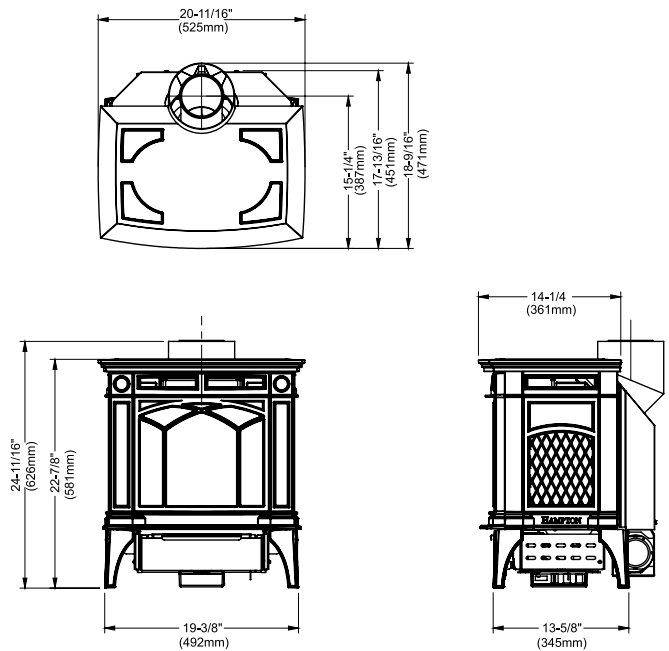
Approved Venting Systems	
Flex Vent Systems:	FPI AstroCap™ Flex Vent
Rigid Pipe Vent Systems:	Simpson Direct Vent Pro® American Metal Products® Amerivent Direct Security Secure Vent® Selkirk Direct-Temp™ Metal-Fab® Sure Seal ICC Direct Vent



#### UNIT DIMENSIONS WITH HORIZONTAL VENT

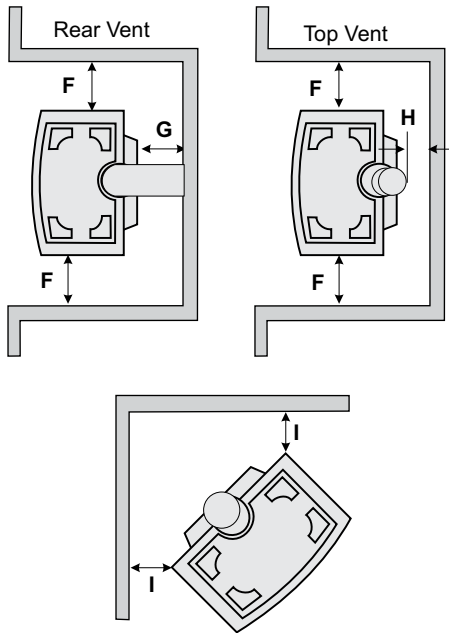


#### UNIT DIMENSIONS WITH VERTICAL VENT



## H15-10 Gas Stove

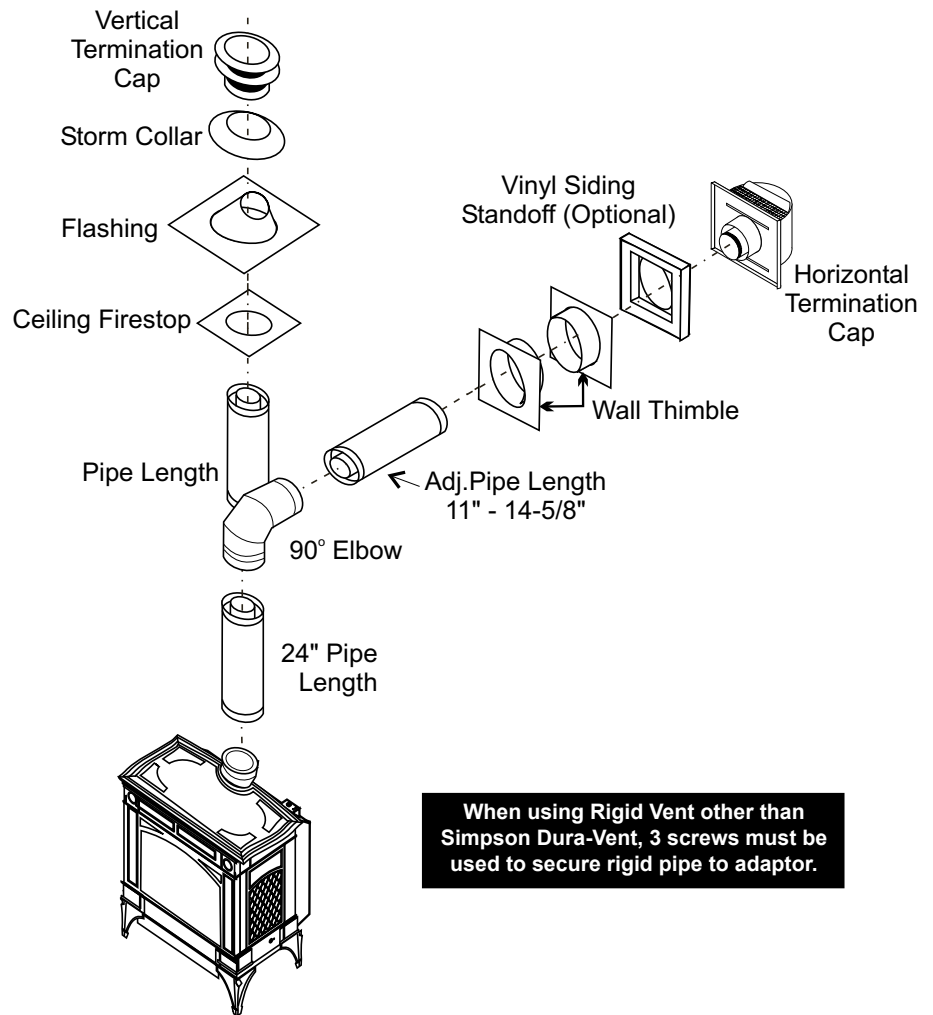
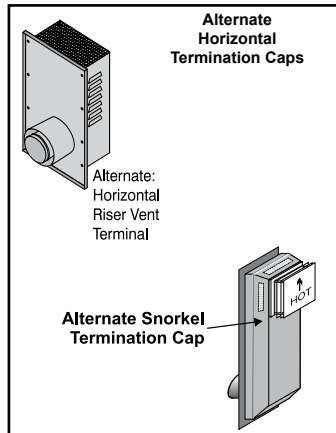
### H15-10 Gas Stove



Alcove Clearances		
Dimension	Description	H15
F	Side Wall to Unit	6" (150mm)
G	Back Wall to Unit	0" (0mm)
H	Back wall to vertical Vent	2" (51mm)
Corner Clearances		
Dimension	Description	H15
I	Wall to Unit Corner	2" (51mm)
<p><b>Minimum ceiling height is 24" (610mm) from top of unit.</b>  <b>Note: A 1-1/2" (38mm) clearance around the outer pipe must be maintained except that only a 1" (25mm) clearance is needed at the termination end.</b></p>		
<p>The above listed clearances are minimum distances to combustible materials. This unit may be installed directly on carpeting or vinyl.</p>		

**RIGID PIPE VENTING SYSTEMS**

**Horizontal or Vertical Terminations**



**When using Rigid Vent other than Simpson Dura-Vent, 3 screws must be used to secure rigid pipe to adaptor.**

**WARNING:**

Do not combine venting components from different venting systems.

However use of the the AstroCap™ and FPI Riser is acceptable with all systems.

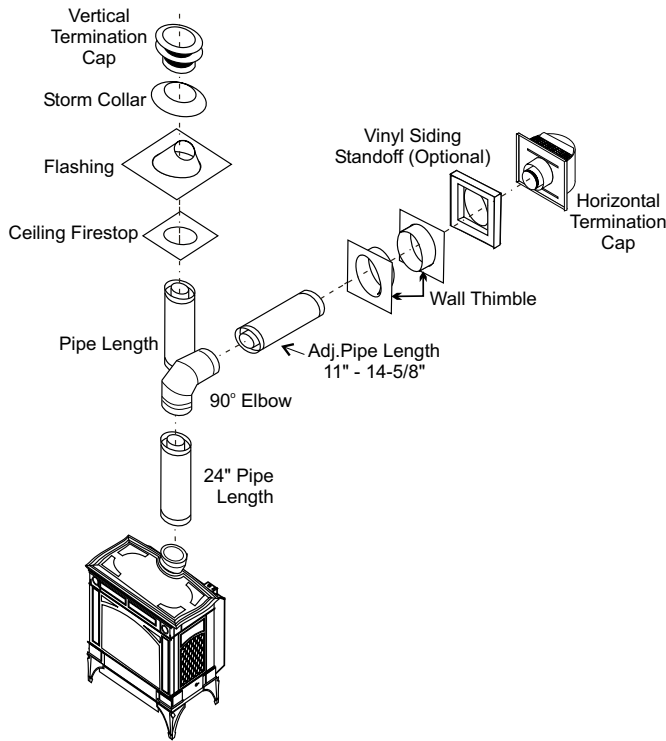
This product has been evaluated by Intertek for using a Rigid Pipe Adaptor in conjunction with Duravent Direct-Vent, Selkirk Direct-Temp, Ameri Vent Direct venting and Security Secure Vent systems. Use of these systems with the Rigid Pipe adaptor is deemed acceptable and does not affect the Intertek WHI listing of components.

The FPI AstroCap™ and FPI Riser Vent terminal are certified for installations using FPI venting systems as well as Simpson Dura-Vent® Direct Vent, American Metal Products Ameri Vent Direct Vent, Security Secure Vent®, Selkirk Direct-Temp. AstroCap™ is a proprietary trademark of FPI Fireplace Products International Ltd. Dura-Vent® and Direct Vent are registered and/or proprietary trademarks of Simpson Dura-Vent Co. Inc.

H15 Gas Stove

## Rigid Pipe Venting Systems

### Horizontal or Vertical Terminations



If required by the external termination location the listed alternate termination caps may be used.

### Venting Arrangements - Vertical Terminations

#### Rigid Pipe System

(Propane & Natural Gas)

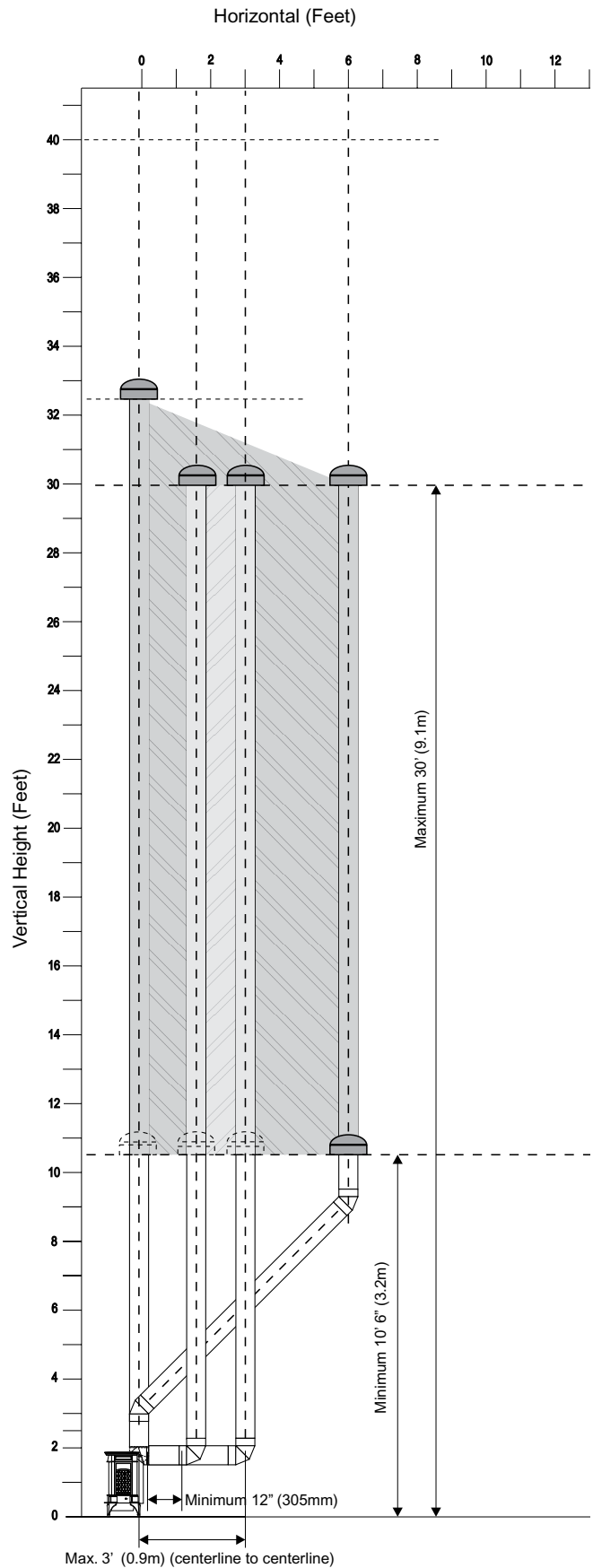
The H15 is approved for a maximum 30 ft. straight vertical, with **Rigid Pipe** vent systems for Propane and Natural Gas.

The lightly shaded area, , in the diagram shows allowable venting configurations using one 90° elbow and venting out the rear.

The darker shaded area, , in the diagram shows allowable venting configurations using up to two 45° elbows and venting out the top.

Terminations falling in either of the shaded areas must have the Vent Restrictor Position set to "B" (restricted).

- **Vent must be supported at offsets.**
- **Horizontal sections must be supported every 3 feet**
- **Firestops are required at each floor level and whenever passing through a wall.**
- **Maintain clearances to combustible materials.**
- **Minimum of 1' pipe section between any elbows.**



## Venting Arrangements - Horizontal Terminations

This diagram shows all allowable combinations of vent runs with horizontal terminations, **using one 90° elbow** (two 45° elbows equal one 90° elbow).

The lightly shaded area, , in the diagram shows allowable combinations with Vent Restrictor in position "A" (fully open)

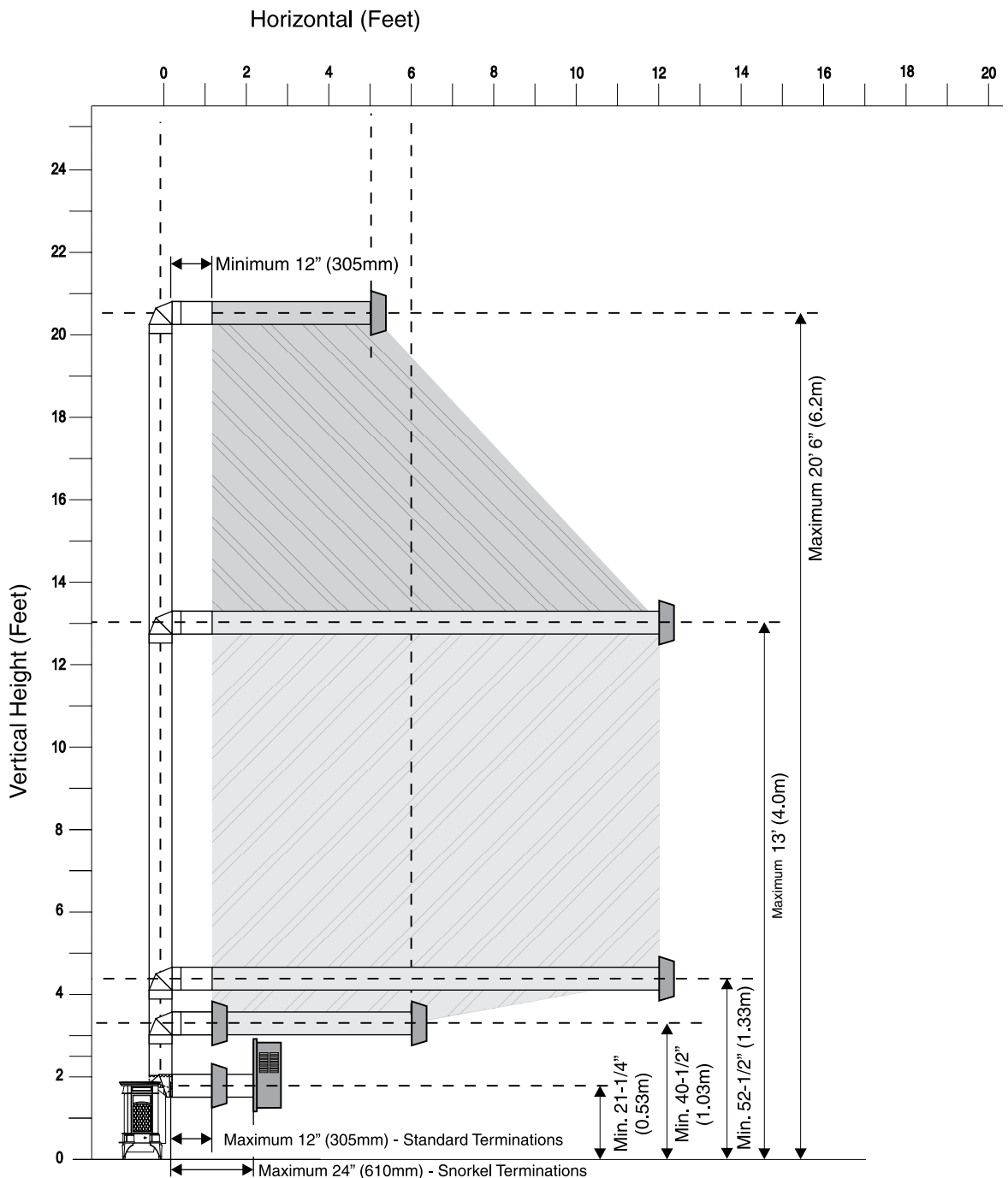
The darker shaded area, , in the diagram shows allowable combinations with Vent Restrictor in position "B" (restricted)

- **Maintain clearances to combustibles.**
- **Horizontal vent must be supported every 3 feet.**

- **Firestops are required at each floor level and whenever passing through a wall.**

A vent guard may be required as per local codes.

**Note: FPI Direct Vent System (Flex) is only approved for horizontal terminations.**



## VERTICAL TERMINATION WITH CO-LINEAR FLEX SYSTEM

**THE APPLIANCE MUST NOT BE CONNECTED TO A CHIMNEY FLUE SERVING A SEPARATE SOLID FUEL BURNING APPLIANCE.**

This appliance is designed to be attached to two 3" (76mm) co-linear aluminium flex running the full length of the chimney. See the Venting Arrangements chart below for minimum and maximum flue lengths. See chart below for minimum distances from roof. Periodically check that the vent is unrestricted.

Masonry chimneys may take various contours which the flexible liner will accommodate. However, **keep the flexible liner as straight as possible**, avoid unnecessary bending.

The Air Intake pipe must be attached to the inlet air collar of the termination cap.

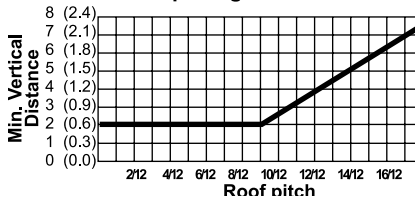
**Required Parts:**

Part #	Description
946-529	Co-linear DV Vertical Termination Cap
948-305	3" Flex - 35 ft.
946-563	Co-Axial to Co-Linear Adapter Kit which contains the following:
	Co-linear Flex Adapter (270-585)
	Outer Pipe (946-257)
	Inner Pipe Adapter (946-219)
991	High Wind Cap
923GK	3" Co-linear Adapter with flashing

**Alternate Approved Caps**

980 Vertical Termination Cap

**Minimum vertical distance in ft. (m) from roof up to lowest opening in termination cap**



**Venting Arrangements - Vertical Terminations with Co-linear Flex System for both Residential & Manufactured Homes into Masonry Fireplaces**

The shaded area in the diagram shows the allowable vertical terminations.

**Straight Vertical Terminations**

