

PELLET STOVES  
& INSERTS



www.regency-fire.com



PELLET STOVES  
& INSERTS

# WHY CHOOSE REGENCY?

## CLEAN BURNING HEATING SOLUTIONS

In 1979, I founded Regency Fireplace Products with a mission to produce the finest fireplace products available anywhere. As a result, Regency has been honored with awards for exceptional aesthetics and performance. It is known as the premium brand in the industry. There are so many reasons to choose a Regency and I would like to share a few with you.

## SAVE MONEY... ZONE HEAT

Never before have home heating costs been higher. Turn your furnace way down and zone heat with beautiful, renewable pellet in the rooms you spend time in. Not only can you cut your fuel bills in half, but you will be able to spend more time doing the things you love. Easy to use, smoke free and highly efficient, there is nothing like using pellets to heat your home.

## REGENCY QUALITY

The Regency name means quality in every way. I am supported by an exceptional team, state of the art research and a world class manufacturing facility. We have carefully selected a dealer network that is committed to your satisfaction.

## LIFETIME GUARANTEE

I am so confident in the quality workmanship, the finest materials, and durable, heavy-duty construction invested in each and every product; that I offer a Limited Lifetime Warranty. We know that you will be as proud of your Regency Pellet Insert or Stove as we are - I guarantee it.



Robert Little  
**Founder & CEO**



# TABLE OF CONTENTS

*Hampton*  
**GCI60 & GC60**      **04**

*Greenfire*  
**GFI55 , GF55**      **06**  
**GF40**      **08**

*Technical Specs*      **09**





Hampton GCI60 biomass pellet insert shown with ceramic log set.

# HAMPTON® | GCI60 • GC60 Biomass Pellet Insert & Stove

## INEXPENSIVE OPERATION

Our Hampton Collection of cast iron biomass pellet products combine all of the best features of traditional cast iron with the latest developments in alternative fuel technology. With the ability to burn wood, corn, wheat and barley pellets they offer maximum heat efficiencies for very cost effective home heating.

## PRICELESS DESIGN

The Hampton pellet stove and insert features the most impressive pellet flame in the industry. Supported by a patent pending low maintenance burner these models requires less cleaning and have high heat efficiency.

SPECIFICATIONS	GCI60	GC60
BTU Input (on high)*	55,000	55,000
BTU Input (on low)*	10,000	10,000
Optimum Efficiency	83.5%	76.6%
Emissions (grams/hr)	1.0g	2.0g
Fuel Capacity (hopper size)	60 lbs	60 lbs
Burn Time (typical)	up to 36 hrs	up to 36 hrs
Room Size / Area Heated**	up to 2500 sq. ft.	up to 2500 sq. ft.
Weight	500 lbs.	504 lbs.
Max. Power usage (ignitor on)	504 Watts	504 Watts
Operating Power usage	200 Watts	200 Watts
Vent Size	4"	4"
Viewing Area	232 sq. in	232 sq. in

### MINIMUM FIREPLACE OPENING (GCI60 ONLY)

Width (front)	27"
Height	23"
Depth	16"

\* Figure will vary with individual conditions and fuel quality.

\*\* Figure will vary with floor plan, house layout / heat loss of the house and quality of pellets used.



Hampton GC60 biomass pellet stove shown with ceramic log set.

BURN TIME  
up to  
**36 HOURS\***

## STANDARD FEATURES

- Ability to burn a variety of biomass pellet fuels - high grade to low grade wood, corn, wheat and barley
- Durable cast iron exterior provides both beauty and radiant heat
- Most impressive pellet flame in the industry
- Low maintenance burner with agitator rod in the burn pot
- Reduced cleaning intervals compared to other pellet stoves
- Quick start automatic (400 watt) ignitor with air pump
- 200 CFM convection variable speed blower
- Standard wall thermostat
- Concealed, easy-to-use controls with Tri-mode operating system (Manual - Hi/Lo - Auto/Off )
- Advanced air wash system for cleaner glass
- Mobile home approved (GC60 only)
- Large concealed ash drawer

## OPTIONS

- Ceramic one piece log set
- Oversize filler panel (GCI60 only)





Greenfire GF155 pellet insert with antique copper door overlay and ceramic log set.

## GREENFIRE™ | GF155 • GF55 Wood Pellet Insert & Stove

### RELIABLE WOOD PELLET TECHNOLOGY

The Regency Greenfire™ line of pellet stoves and inserts are quiet, inexpensive and efficient home heaters that are built to last. Both the insert and stove operate automatically with a standard ignitor allowing you a push button start to control your home comfort.

### EXCEPTIONAL FIRE

Both Freestanding Pellet stove (GF55) and Pellet Insert (GF155) feature a large bay window providing maximum fire viewing and radiant heat dispersion. An adjustable hopper allows the GF155 to fit into fireplaces with openings as low as 19.5 inches.

SPECIFICATIONS	GF155	GF55
BTU Input (on high)*	45,000	45,000
BTU Input (on low)*	12,000	12,000
Optimum Efficiency	75.8%	75.8%
Emissions (grams/hr)	2.0 g/hr	2.0 g/hr
Fuel Capacity (hopper size)	55 lbs.	55 lbs.
Burn Time (typical)	up to 36 hrs.	up to 36 hrs.
Room Size / Area Heated**	up to 2000 sq. ft.	up to 2000 sq. ft.
Max. Power usage (ignitor on)	520 Watts	520 Watts
Operating Power usage	200 Watts	200 Watts
Vent Size	3"	3"
Viewing Area	161 sq.in.	161 sq.in.

### MINIMUM FIREPLACE OPENING (GF155 ONLY)

Width (front)	26"
Height	19-1/2" - 22-3/4"
Depth	15"

\* Figure will vary with individual conditions and fuel quality.

\*\* Figure will vary with floor plan, house layout / heat loss of the house and quality of pellets used.



Greenfire GF55 pellet stove shown with brushed nickel door overlay and ceramic log set.

BURN TIME  
up to  
**36 HOURS\***

## STANDARD FEATURES

- Attractive, durable cast iron brick liner
- Large arched bay door
- Black door overlay
- Hidden door handle
- Decorative black grilles
- Heavy-duty heat exchanger
- Large full pedestal ash drawer (GF55 model)
- Large concealed ash drawer (GFI55 model)
- Large 55 lb hopper with easy access lid and recessed handle
- Adjustable hopper height (GFI55) from 22.75" to 19.5"
- 160 CFM convection variable speed blower
- Concealed, easy-to-use controls with Tri-mode operating system (Manual - Hi/Lo - Auto/Off)
- Quick start ignitor (300 Watt)
- Mobile home approved (GF55 only)

## OPTIONS

- Antique copper door overlay
- Brushed nickel door overlay
- Ceramic one piece log set
- Regular or oversize faceplate (GFI55)
- Zero clearance framing kit (GFI55)





Greenfire GF40 shown with hearth pad.

## GREENFIRE™ | GF40 Wood Pellet Stove

### MODERN, COMPACT DESIGN

The GF40 small freestanding pellet stove features a modern compact design that heats your room evenly and efficiently. Put up your feet and enjoy the warmth; while the quick start automatic ignitor, and large multi-tube heat exchanger do all the work.

SPECIFICATIONS	GF40
BTU Input (on high)*	30,000
BTU Input (on low)*	8,000
Optimum Efficiency	78%
Emissions (grams/hr)	1.6 g/hr
Fuel Capacity (hopper size)	up to 67 lbs.
Burn Time (typical)	up to 36 hrs
Room Size / Area Heated**	up to 1200 sq. ft.
Weight	230 lbs.
Max. Power usage (ignitor on)	475 Watts
Operating Power usage	215 Watts
Vent Size	3"
Viewing Area	124 sq.in.

\* Figure will vary with individual conditions and fuel quality.

\*\* Figure will vary with floor plan, house layout / heat loss of the house and quality of pellets used.

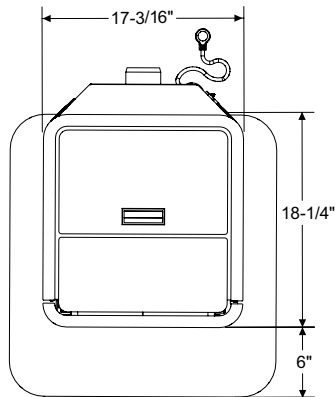
### STANDARD FEATURES

- Ability to burn a variety of pellet fuels - high grade to low grade wood pellets
- Low maintenance burner and easy to clean burn pot
- Concealed, easy-to-use controls with Tri-mode operating system (Manual - Hi/Lo - Auto/Off)
- Large multi-tube heat exchanger
- 130 CFM convection variable speed blower
- Mobile home approved
- Quick start automatic (400 watt) ignitor
- Large concealed ash drawer
- Standard matching hearth pad

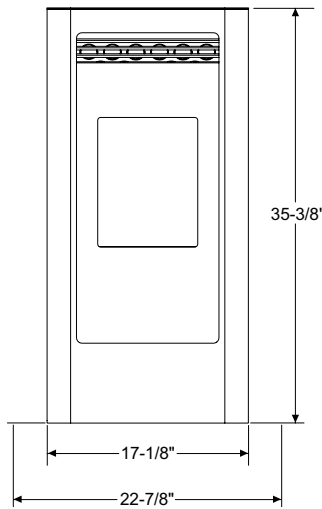




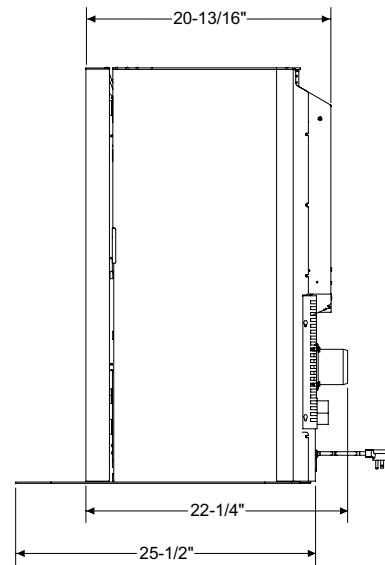
# SPECIFICATIONS - GF40 WOOD PELLET STOVE



TOP

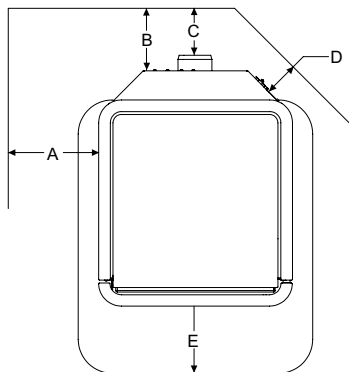


FRONT



SIDE

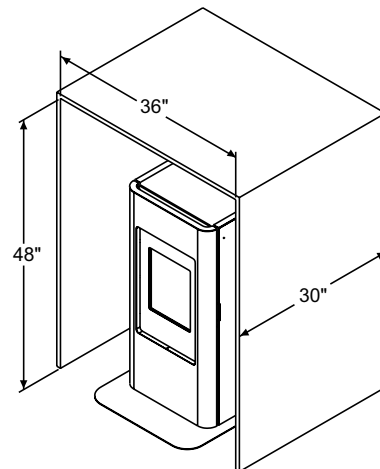
## CLEARANCES



### CLEARANCES TO COMBUSTIBLES

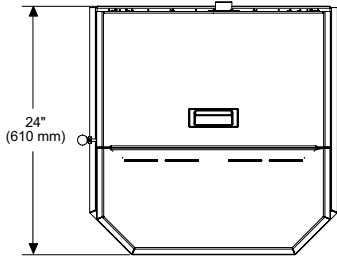
A	Side wall to unit	8"
B	Back wall to unit	5-1/2"
C	Back wall to chimney connector	4"
D	Corner to unit	3"
E	Glass to hearth pad	6"

## MIN. ALCOVE CLEARANCES

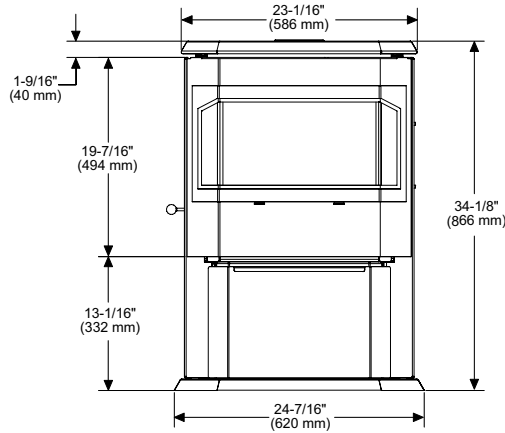


# SPECIFICATIONS - GREENFIRE STOVE & INSERT

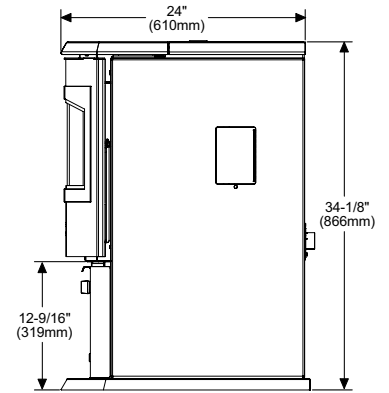
## GF55 PELLET STOVE



TOP

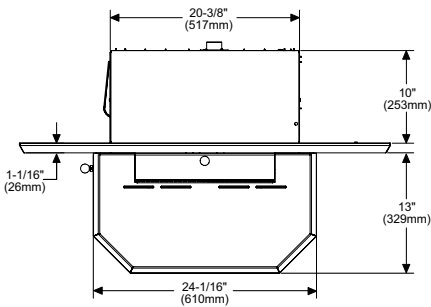


FRONT

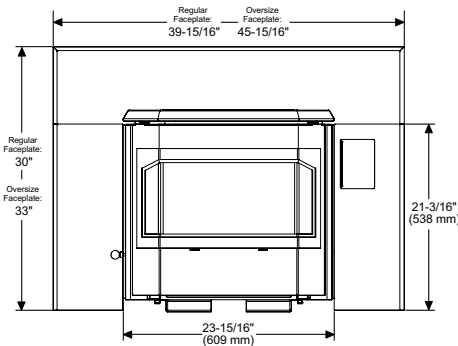


SIDE

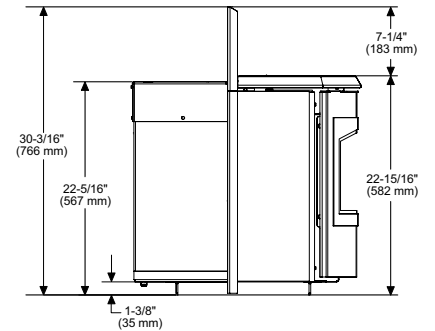
## GFI55 PELLET INSERT



TOP

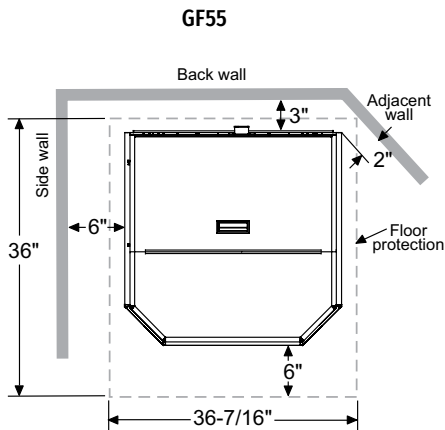


FRONT

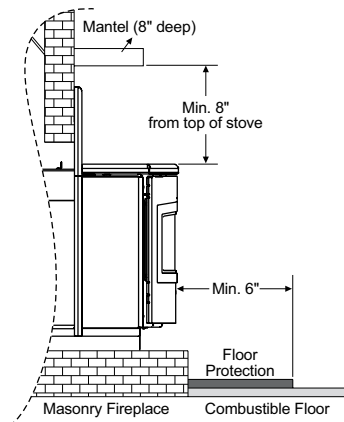


SIDE

## CLEARANCES



GF55



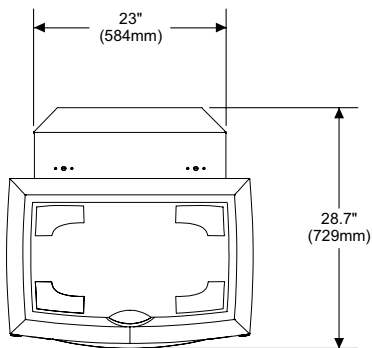
GFI55

### MIN. FIREPLACE OPENING

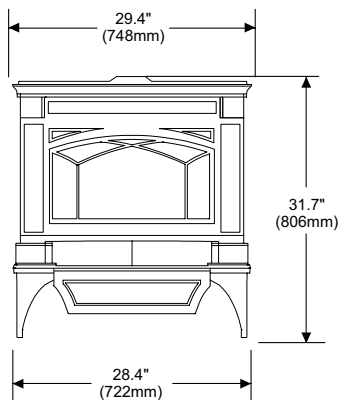
Height - 55 lbs hopper (standard)	22-3/4"
Height - 42 lbs hopper (adjusted)	19-1/2"
Width	26"
Depth	15"

# SPECIFICATIONS - HAMPTON STOVE & INSERT

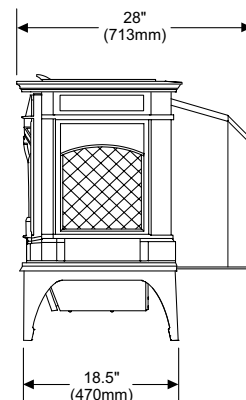
## GC60 PELLET STOVE



TOP

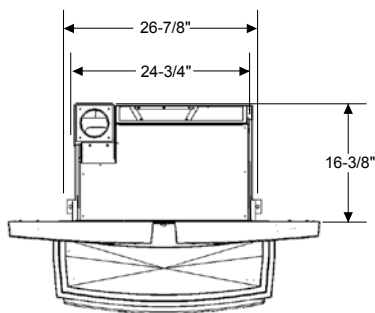


FRONT

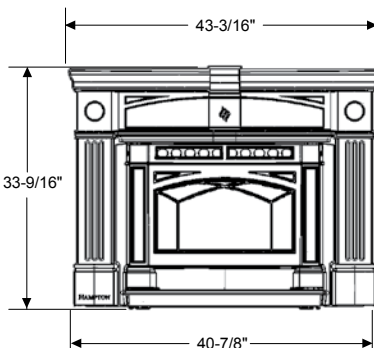


SIDE

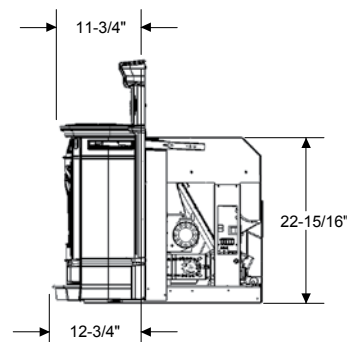
## GCI60 PELLET INSERT



TOP

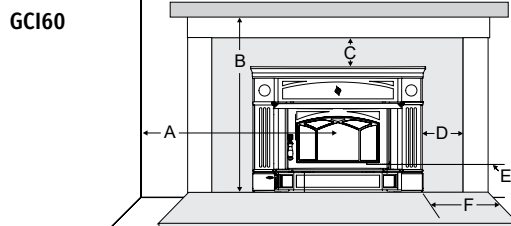
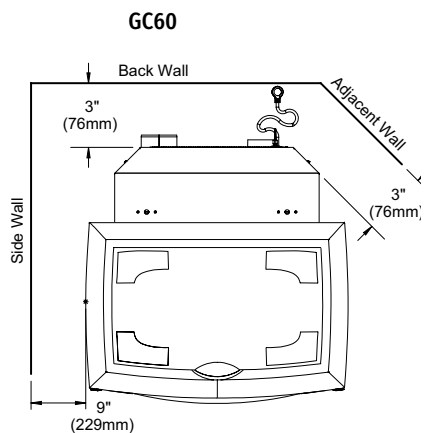


FRONT



SIDE

## CLEARANCES



### MASONRY & FACTORY BUILT FIREPLACE CLEARANCES

The minimum required clearances to combustible materials when installed into a masonry fireplace are:

	Adjacent Side Wall (from center)	Mantel (12") (bottom unit)	Top Facing (top faceplate)	Adjacent Side Wall (from faceplate)	Min. Hearth Extension (from door opening)	Min. Hearth Side Extension (from side of unit)
	A	B	C	D	E	F
GCI60	24"	33"	0	2"	6"	6"

# PELLET PRODUCT - A GREEN CHOICE



## RENEWABLE ENERGY

Pellets come from renewable natural resources - well-managed forests and crops are a renewable, sustainable source of energy that helps us reduce greenhouse gas emissions and be less dependent on oil & gas.

## PELLET BURNING IS CARBON NEUTRAL

As plants grow they absorb carbon dioxide from the atmosphere. When plants die and are left to decompose, the carbon stored in them is released in the atmosphere as carbon dioxide.

Burning pellets produces the same amount of carbon dioxide as it has absorbed during its life cycle - making pellet burning carbon neutral.

## EPA CERTIFIED

All Regency products have been tested and certified to the strictest clean air standard as set by the Environmental Protection Agency. Rated among the highest efficiency units, all Regency Pellet stoves heat from between 1,200-2,500 square feet with adjustable heat management options.



[www.regency-fire.com](http://www.regency-fire.com)

Approved for sale in United States & Canada.  
UL-1482/ULC S627; CSAB366.2M/ULC S628; UL907/UL-127 ULC S610.

© 2016 FPI Fireplace Products International Ltd. Greenfire, Regency, Hampton are registered or proprietary trademarks of FPI Fireplace Products International Ltd.

All rights reserved. Printed in Canada (07/16)  
Part no. 944-407

your Regency dealer