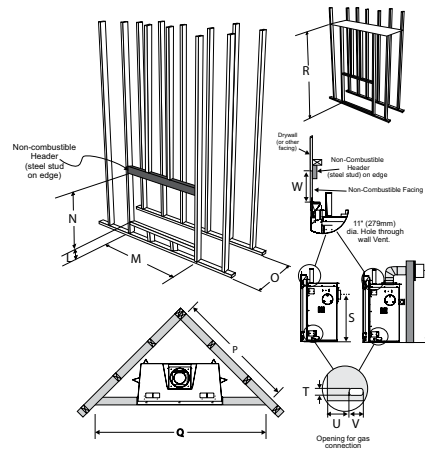
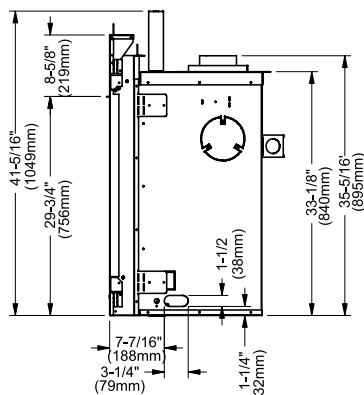
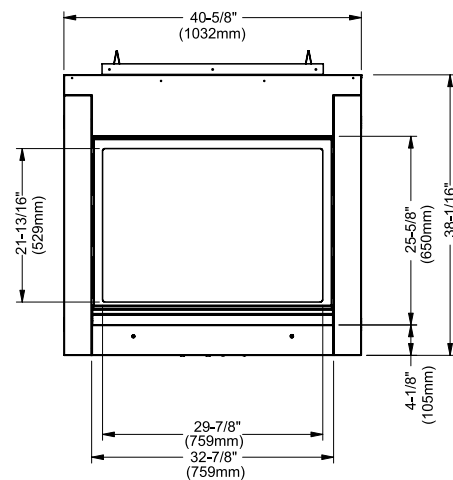
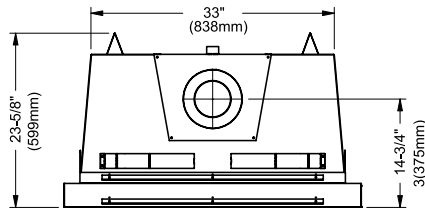


B36XTCE Gas Fireplace

Model	B36XTCE-NG10	B36XTCE-LP10
Fuel Type	Natural Gas	Propane
Minimum Supply Pressure	5" W.C./C.E. (1.25 kPa)	11" W.C./C.E. (2.74 kPa)
Manifold Pressure - High	3.5" W.C./C.E. (0.87 kPa)	10" W.C./C.E. (2.49 kPa)
Manifold Pressure - Low	1.6" W.C./C.E. (0.40 kPa)	6.4" W.C./C.E. (1.60 kPa)
Orifice Size -Altitude 0-4500 ft.	#35 DMS	#51 DMS
Minimum Input Altitude 0-4500 ft. (0-1372m)	21,500 BTU/h (6.3 kW)	25,000 BTU/h (7.33 kW)
Maximum Input Altitude 0-4500 ft. (0-1372m)	31,000 BTU/h (9.09 kW)	31,000 BTU/h (9.09 kW)
Approved Venting Systems		
Flex Vent Systems:	FPI AstroCap™ Flex Vent	
Rigid Pipe Vent Systems:	Simpson Direct Vent Pro® Selkirk Direct-Temp™ Metal-Fab® Sure Seal American Metal Products® Security-Secure Vent®	-5" x 8" approved -4" x 6-5/8" approved



Framing Dimensions	Description	B36XTCE
L	Framing rise from floor	0" (when not using a surround) 1" min (when using Mantel)
M	Framing Width	41-1/4" (1048mm)
N	Framing Height	47-3/4" (1213mm)
O (Rear Vent)	Framing Depth - Rear Vent	23-7/8" (606mm)
O (Top Vent)	Framing Depth - Top Vent	23-7/8" (606mm)
P (Top Vent)	Corner Facing Wall Width	53-1/4" (1353mm)
P (Rear Vent)	Corner Facing Wall Width	57-7/8" (1470mm) AstroCapXL 66-1/8" (1670mm) - other approved caps
Q (Top Vent)	Corner Facing Wall Width	75-1/4" (1911mm)
Q (Rear Vent)	Corner Facing Wall Width	81-1/2" (2070mm) AstroCapXL 93-1/2" (2375mm) - other approved caps
R (Rear Vent)	Framed Chase Ceiling - Rear	47-3/4" (1213mm)
R (Top Vent)	Framed Chase Ceiling - Top	50-1/2" (1283mm)
S (Rear Vent)	Vent Centerline Height - Rear	26-1/2" (673mm)
S (Top Vent) (5" x 8")	Vent Centerline Height - Top	42-1/8" (1070mm) Flex 44-1/4" (1123mm) Rigid
S (Top Vent) (4" x 6-5/8")	Vent Centerline Height - Top	- 49" (1245mm) Rigid
T	Gas Connection Height	1-1/2" (38mm)
U	Gas Connection Inset	7-3/8" (187mm)
V	Gas Connection Width	3-1/4" (82mm)
W	Non-combustible Height	9-1/4" (235mm)

**** Important: Framing height requires consideration of the hearth depth. Dimension N = N + the thickness of the installed hearth.**

CLEARANCES

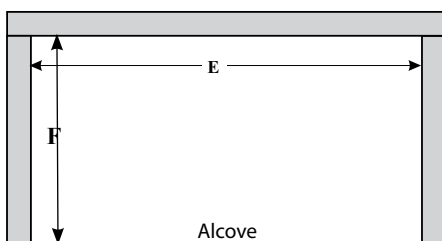
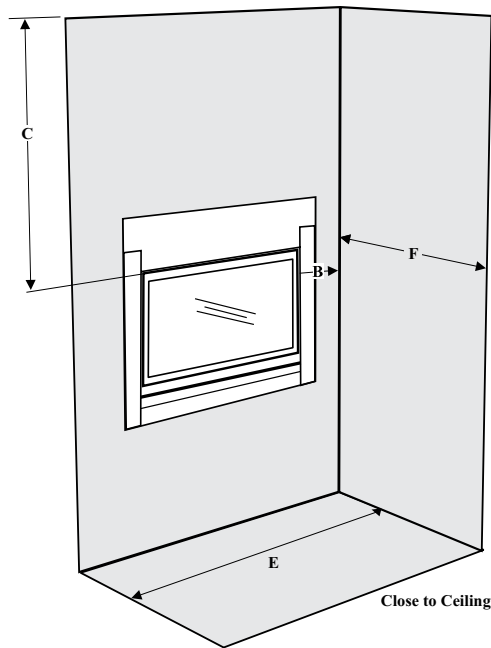
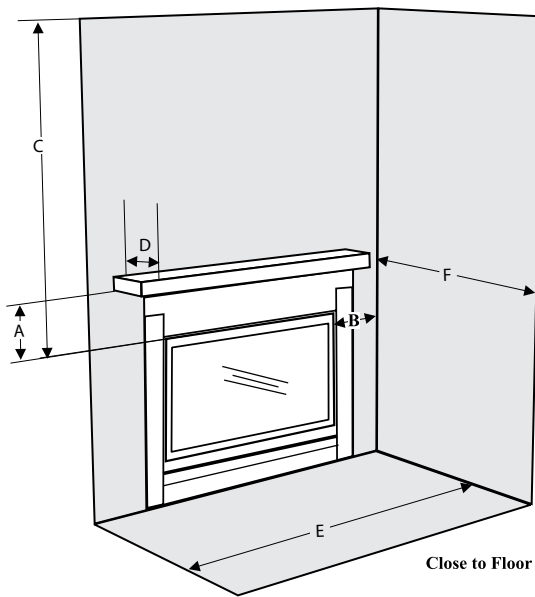
The clearances listed below are Minimum distances unless otherwise stated:

A major cause of chimney related fires is failure to maintain required clearances (air space) to combustible materials. It is of the greatest importance that this fireplace and vent system be installed only in accordance with these instructions.

Clearance:	Dimension	Measured From:
A: Mantel Height (min.)	21-1/4" (540mm)	Top of Fireplace Opening
B: Sidewall	12" (304mm) one side only	Side of Fireplace Opening
C: Ceiling	39" (991mm)	Top of Fireplace Opening
D: Mantel Depth (max.)	12" (304mm)	29-1/4 " (743mm) from Top of Fireplace Opening
E: Alcove Width	84" (2134mm)	Wall to Wall (Minimum)
F: Alcove Depth	36" (914mm)	Front to Back Wall (Maximum)
Notes:	0"	No Hearth Required

WARNING
 Fire hazard is an extreme risk if these clearances (air space) to combustible materials are not adhered to. It is of greatest importance that this fireplace and vent system be installed only in accordance with these instructions.

Caution Requirements
 The top, back and sides of the fireplace are defined by standoffs. The metal ends of the standoff may **NOT** be recessed into combustible construction.



Minimum Vent Clearances to Combustibles

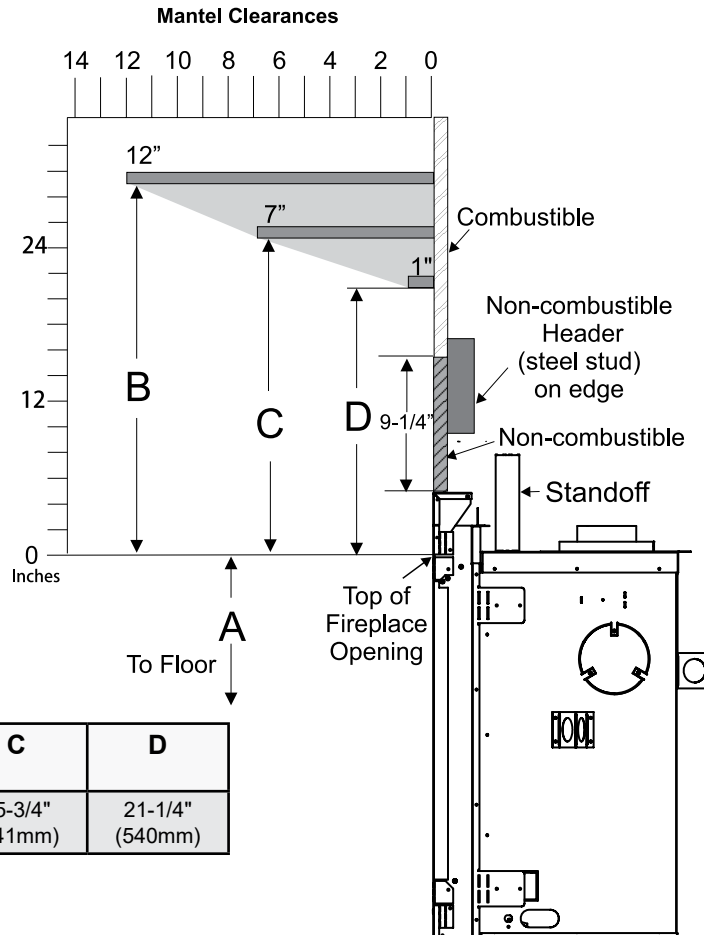
Horizontal Top	2" (51mm)
Horizontal Side	1-1/2" (38mm)
Horizontal Bottom	1-1/2" (38mm)
Vertical Vent	1-1/2" (38mm)

MANTEL CLEARANCES

Due to the extreme heat this fireplace emits, the mantel clearances are critical. Combustible mantel clearances from top of front facing are shown in the diagram on the right.

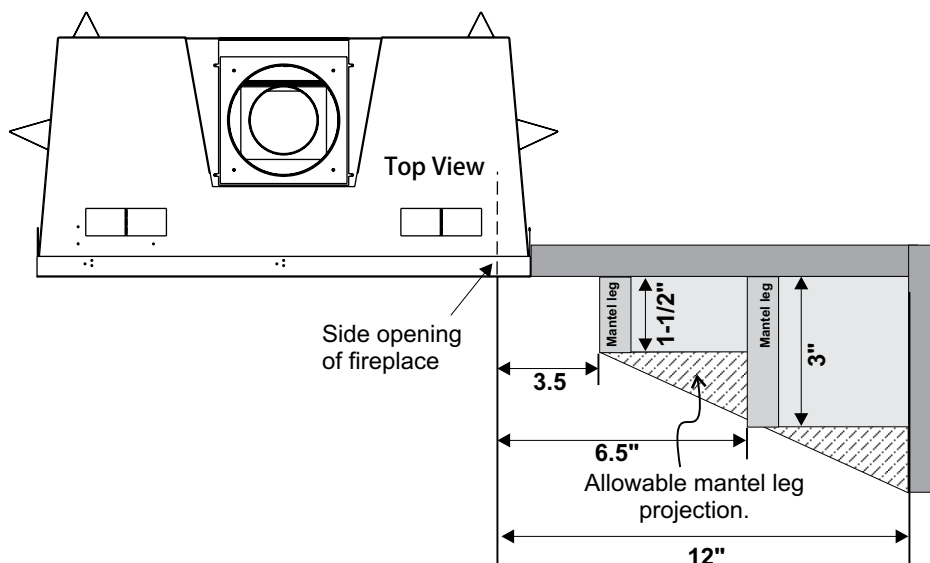
Note: A non-combustible mantel may be installed at a lower height if the framing is made of metal studs covered with a non-combustible board.

Note: Ensure the paint that is used on the mantel and the facing is "heat resistant" or the paint may discolour.



Mantel Clearances B36XTCE	A	B	C	D
From Top of Fireplace Opening	29-11/16" (754mm)	29-1/4" (743mm)	25-3/4" (641mm)	21-1/4" (540mm)

MANTEL LEG CLEARANCES



FRAMING & FINISHING

1. Frame in the enclosure for the unit with framing material.

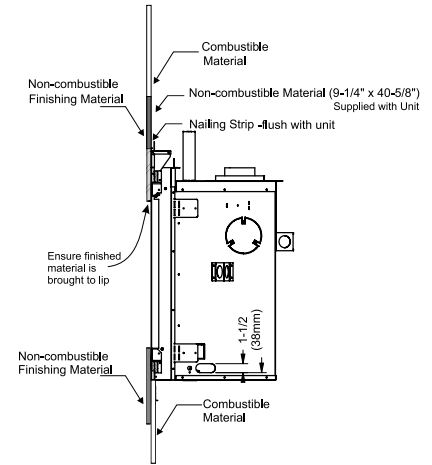
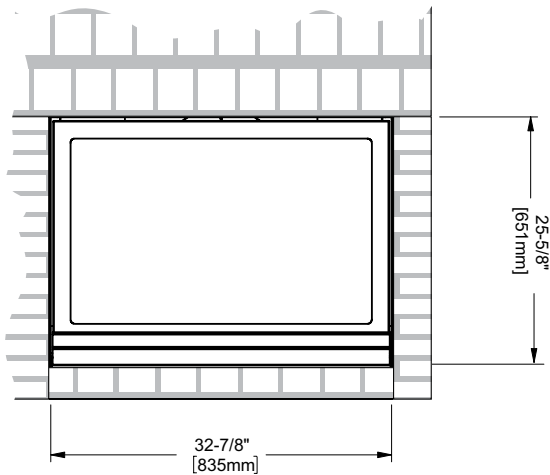
Note: When constructing the framed opening, please ensure there is access to install the gas lines when the unit is installed.

2. For exterior walls, insulate the enclosure to the same degree as the rest of the house; apply vapour barrier and drywall, as per local installation codes. (Do not insulate the fireplace itself.)

WARNING: Failure to insulate and add vapor barriers to the inside of the exterior wall will result in operational and performance problems including, but not limited to: excessive condensation on glass doors, poor flame package, carbon, blue flames etc. These are not product related issues.

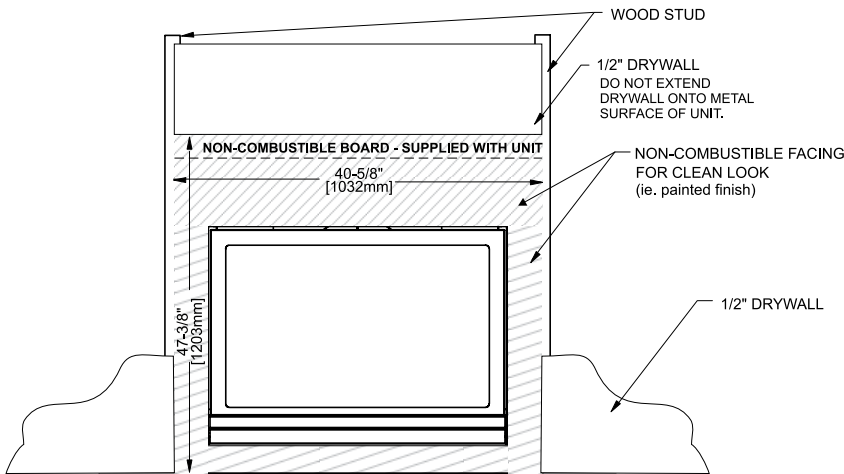
3. The unit does not have to be completely enclosed in a chase. You must maintain clearances from the vent to combustible materials: See "Clearances" section. Combustible materials can be laid against the side and back standoffs and the stove base.
4. Tile Finish Option 1: Drywall may be installed onto the unit as shown below to create a surface to apply finishing materials such as tile, slate, etc. Drywall cannot extend beyond the metal surface of the unit.
5. Tile Finish Option 2: If applying a non-combustible finishing material (tile, slate, etc) the material can be installed directly onto the metal surface (clean front) of the unit in the area shown below.

TILE FINISH

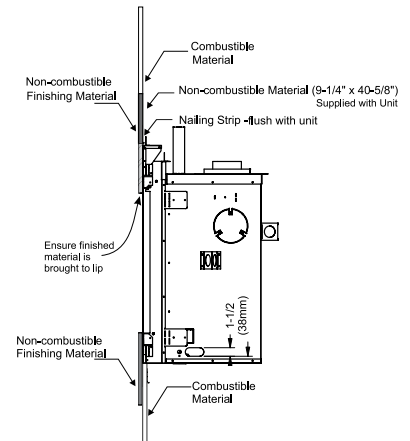


CLEAN FINISH

6. If applying a non-combustible facing it may be installed over the metal surface (clean front) of the unit in the area shown below.



Combustible and Non-combustible Facing and Finishing Materials around unit.

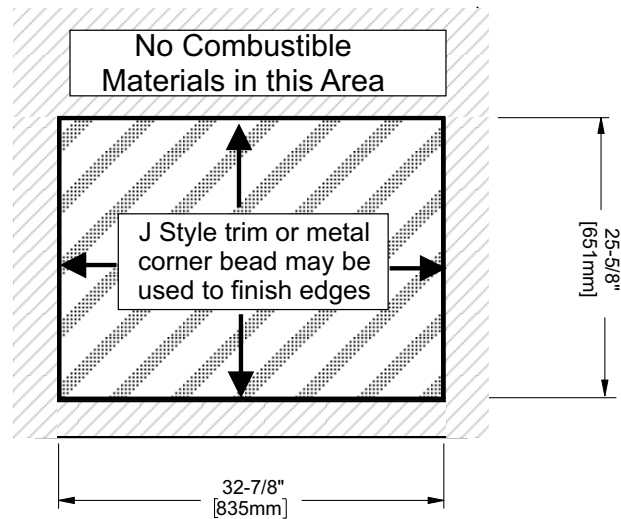
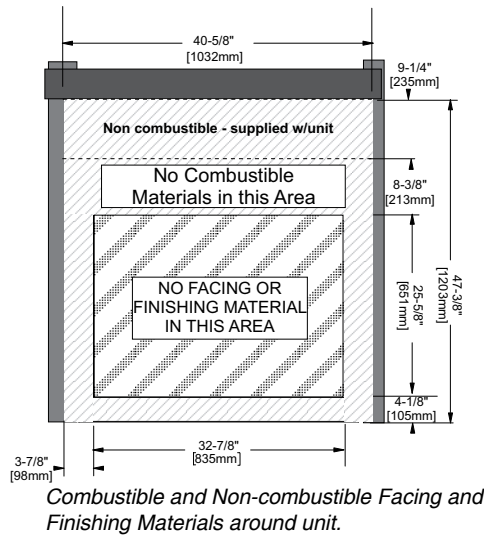


NOTE: The 9-1/4" x 40-5/8" non combustible material supplied with this unit can be replaced if trying to achieve a clean finish. A large piece of non combustible material (ie. 4' x 8' x 1/2") can be used to eliminate taped seams on or near unit.

CLEAN FINISH

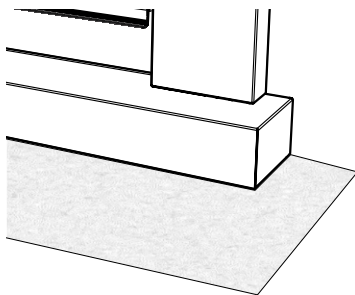
7. Non-combustible material (ie. tile, slate, etc) may be brought up to the edge of the glass door of the unit. Minimum clearances must be adhered to, this will assure ease of glass door removal and access to the lower panel.

NOTE: Non-combustible finishing materials may be of any thickness desired.



IMPORTANT FINISHING DETAIL NOTE:

Before placing unit into final position - it is important to know the total thickness / height of finished hearth (tile, carpet, etc.) The base of the fireplace, 4 sided faceplate or mantel should be level or higher than the finished hearth height.



Note: All non-combustible facing material should butt up cleanly to the flanges around the firebox opening.

Rough edges may be visible from an angle.

To maintain a clean finished edge - facing material edges may be finished with a J-style trim or metal cornerbead (both materials available at your local building or hardware store).

IMPORTANT: Materials used must be NON-COMBUSTIBLE.

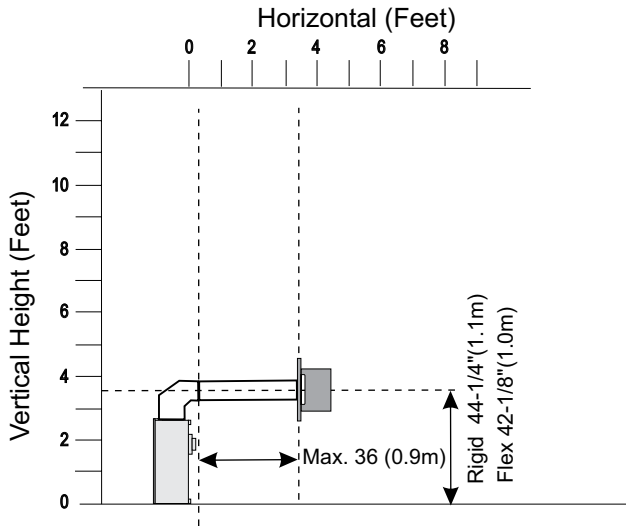
VENTING ARRANGEMENTS FOR HORIZONTAL TERMINATIONS FLEX VENT OR RIGID PIPE 5" X 8"

The Diagrams show all allowable combinations of vent runs with 5" x 8" venting using the Regency direct vent system or rigid vent system. A vent guard should be used whenever the termination is lower than the specified minimum or as per local codes.

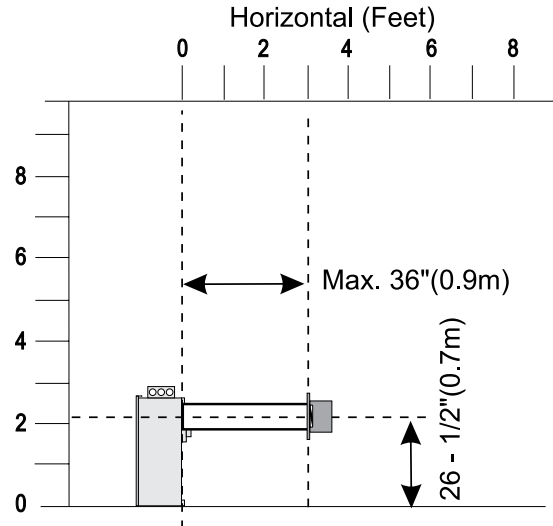
For horizontal terminations the Regency Direct Vent Flex System may be used for installations with a maximum **continuous** vent maximum horizontal length of 3ft (0.9m).

Note: Must use optional rigid pipe adaptor (Part # 770-994) when using Rigid Pipe vent systems.

- Maintain clearance to combustibles.
- Horizontal vent must be supported every 3 feet.
- Firestops are required at each floor level and whenever passing through a wall.



Factory Setting - No Restrictor Required

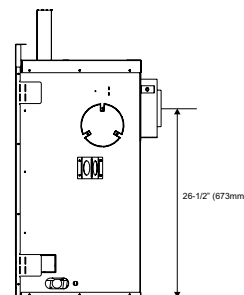
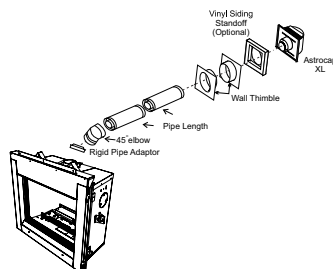
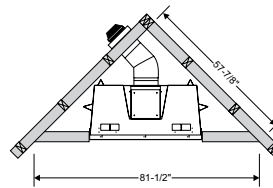


Factory Setting - No Restrictor Required

HORIZONTAL TERMINATIONS ASTROCAP XL & RIGID REAR VENT KIT FOR CORNER INSTALLATIONS RIGID PIPE 5" X 8"

Designed for a minimum vent configuration when using a rear vent application with a horizontal termination in a corner installation.

Kit 946-612 Includes	
1	AstroCap XL 946-623/P
1	Rigid Pipe Adaptor 770-994
1	Vinyl Siding Standoff (Optional) 946-625
1	Wall Thimble 58DVA-WT
1	6" galvanized rigid pipe 58DVA-06
1	8-1/2" galvanized pipe extension 58DVA-08A
1	45° galvanized elbow 58DVA-E45
1	90 ml MillPac 948-128



VENTING ARRANGEMENTS FOR HORIZONTAL TERMINATIONS

RIGID PIPE 4" X 6-5/8"

(MUST USE REDUCER PART # 946-606 & 770-994 RIGID PIPE ADAPTOR)

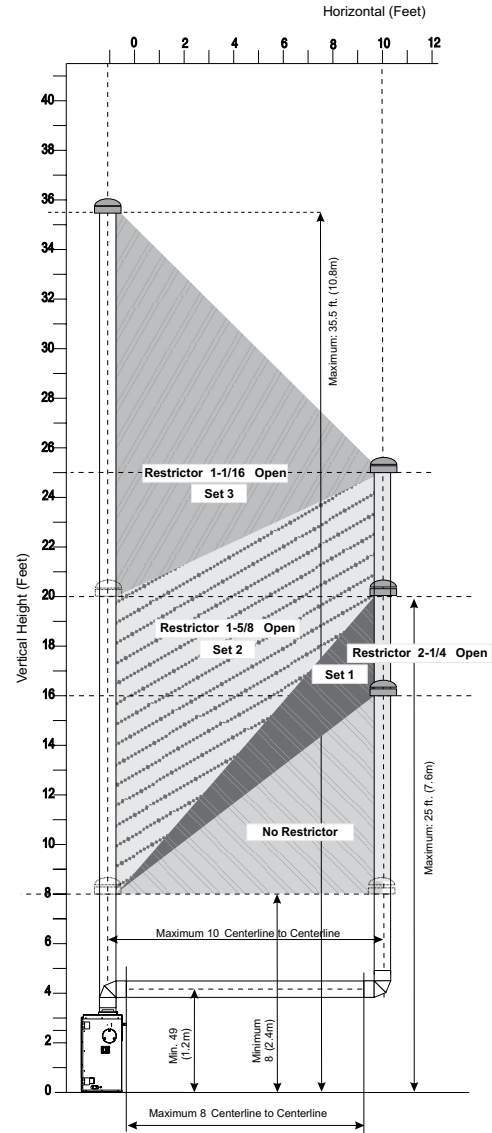
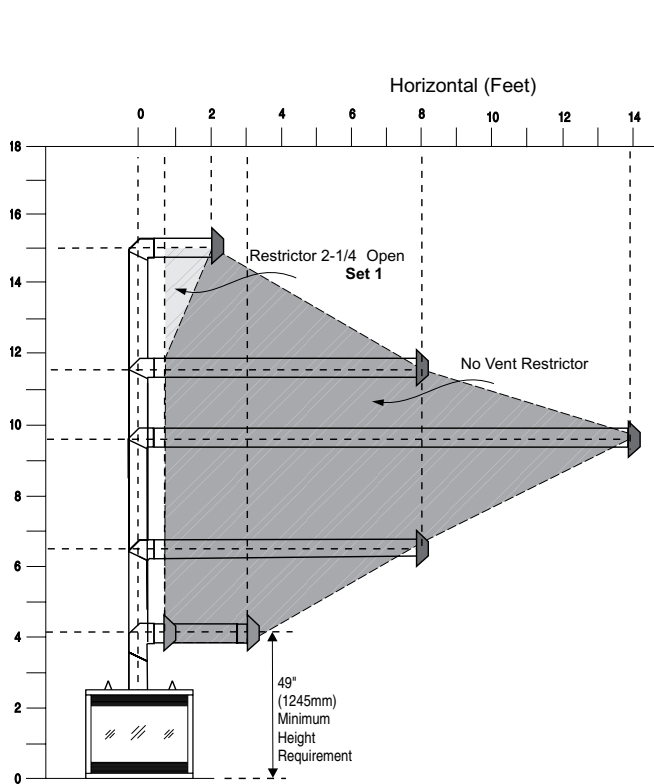
VENTING ARRANGEMENTS FOR VERTICAL TERMINATIONS

RIGID PIPE 4" X 6-5/8"

(MUST USE REDUCER PART # 946-606 & 770-994 RIGID PIPE ADAPTOR)

The diagram shows all allowable combinations of vertical runs with horizontal terminations, using one 90° two 45° elbows equal one 90° elbow).

The shaded area in the diagram shows all allowable combinations of straight vertical and offset to vertical terminations, using two 90° elbows, with Rigid Pipe Venting Systems for Propane and Natural Gas. Two 45° elbows equal to one 90° elbow. Maximum of four 45° elbows allowed.



- Maintain clearances to combustibles as listed in "Clearances" section
- Horizontal vent must be supported every 3 feet.
- Firestops are required at each floor level and whenever passing through a wall.
- A wall thimble is mandatory for all horizontal terminations due to high temperatures.

- Vent must be supported at offsets.
- Firestops are required at each floor level and whenever passing through a wall.
- Maintain clearances to combustibles as listed in the "Clearances" section.
- Refer to the "Vent Restrictor Position" section for details on how to change the vent restrictor from the factory setting to 2-1/4" opening, 1-5/8" opening and to 1-1/16" opening.

Note: Must use optional flue adapter when using Rigid Pipe (Part # 770-994..)